

1977 Sofa

Assembly | User Guide

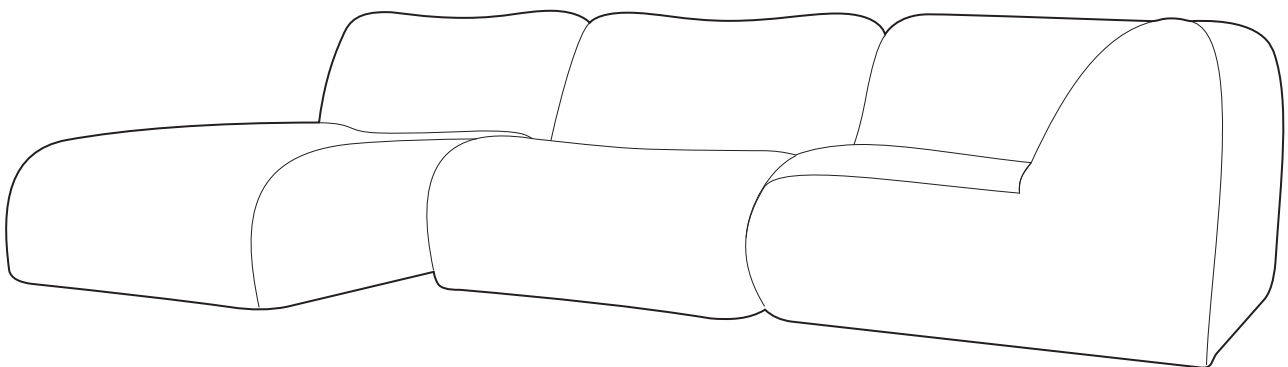


Product Care

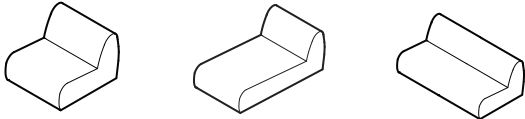
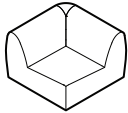
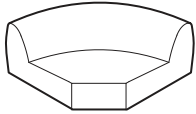
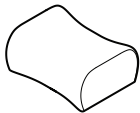
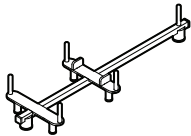
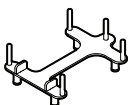
Two people required for safe assembly

Opening Boxes: DO NOT use a knife to open the packaging as you may damage your furniture. Peel-off the tape, then lift and separate the cardboard flaps to open.

Please follow these Assembly | User Guide Instructions

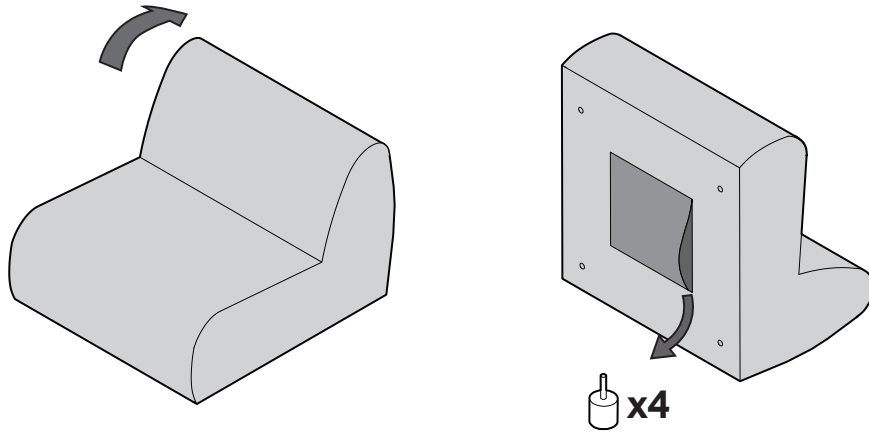


Contents

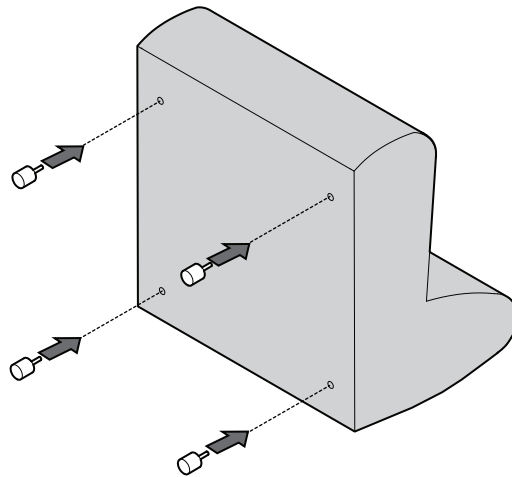
Assembly		3
Recovering Instructions		
Chair Chaise 2-Seater		4
Corner		10
Curve		15
Ottoman		20
Arm Installation		
Long Bracket		22
Short Bracket		27

Assembly

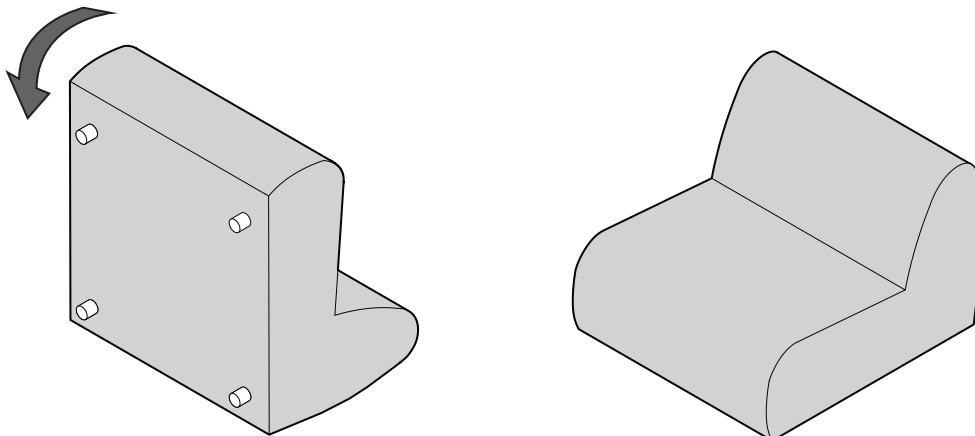
1



2

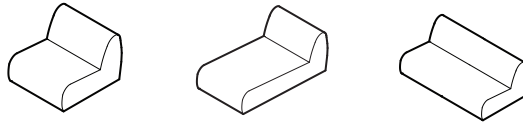


3

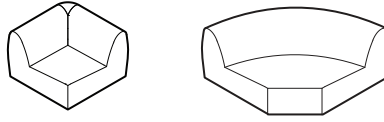


Recovering Instructions

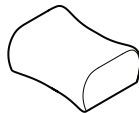
See Instruction Steps: Chair | Chaise | 2-Seater



See Instruction Steps: Corner | Curve

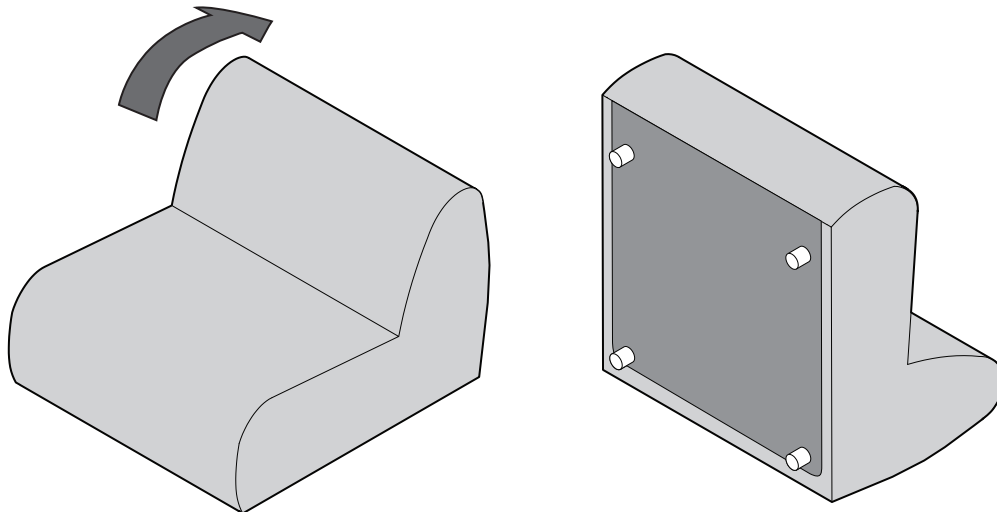


See Instruction Steps: Ottoman

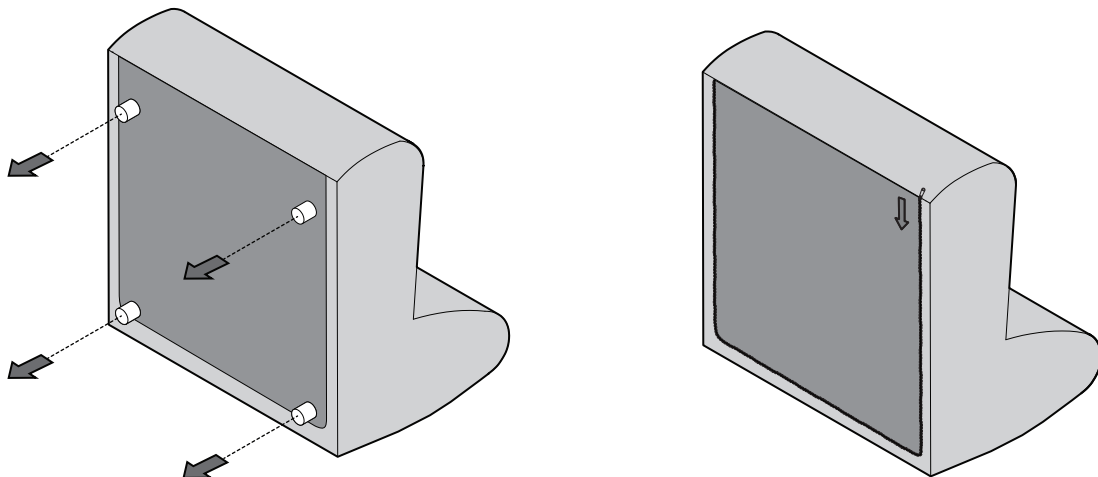


Cover Removal: Chair | Chaise | 2-Seater

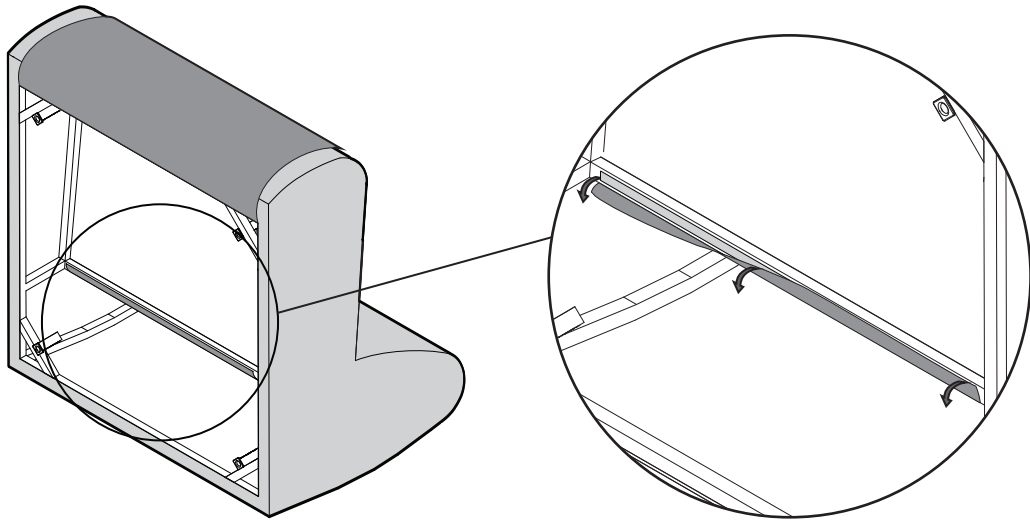
1



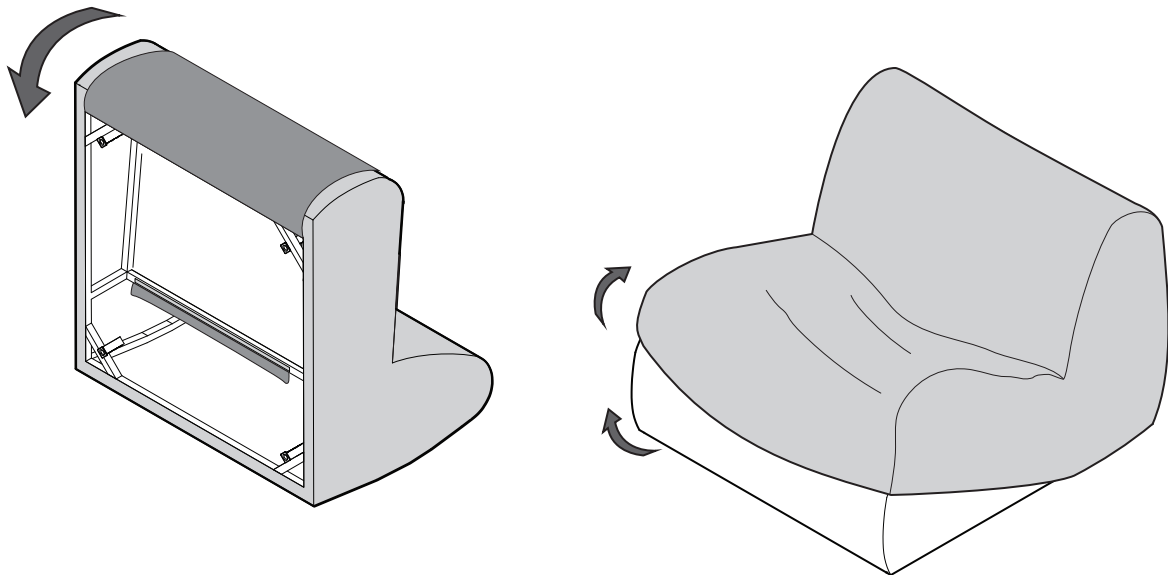
2



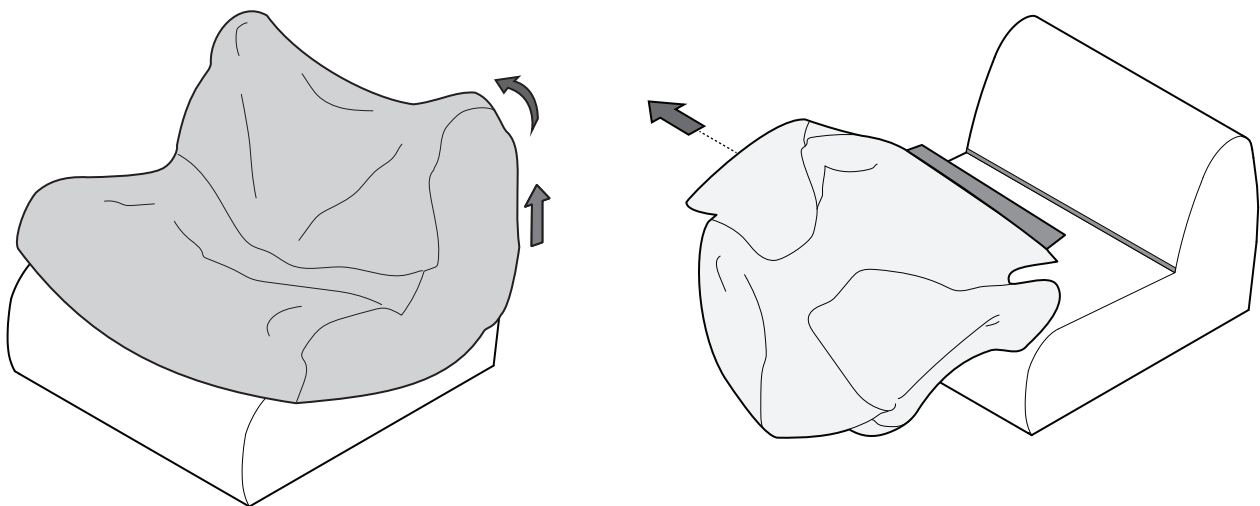
3



4

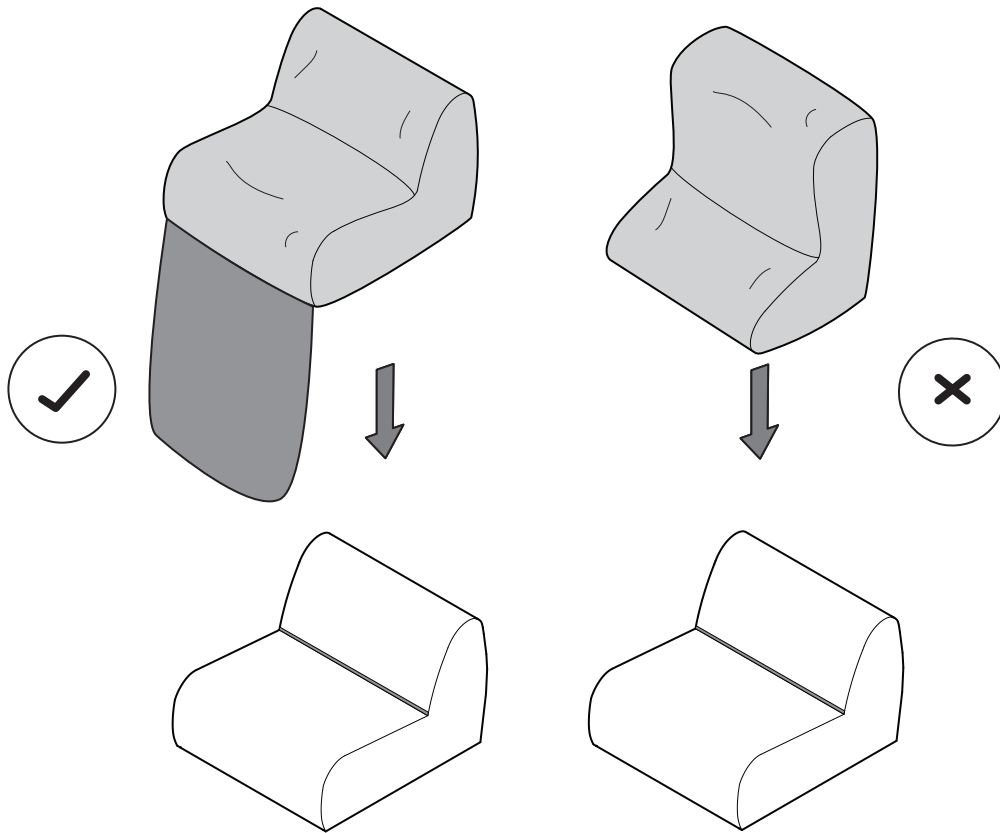


5



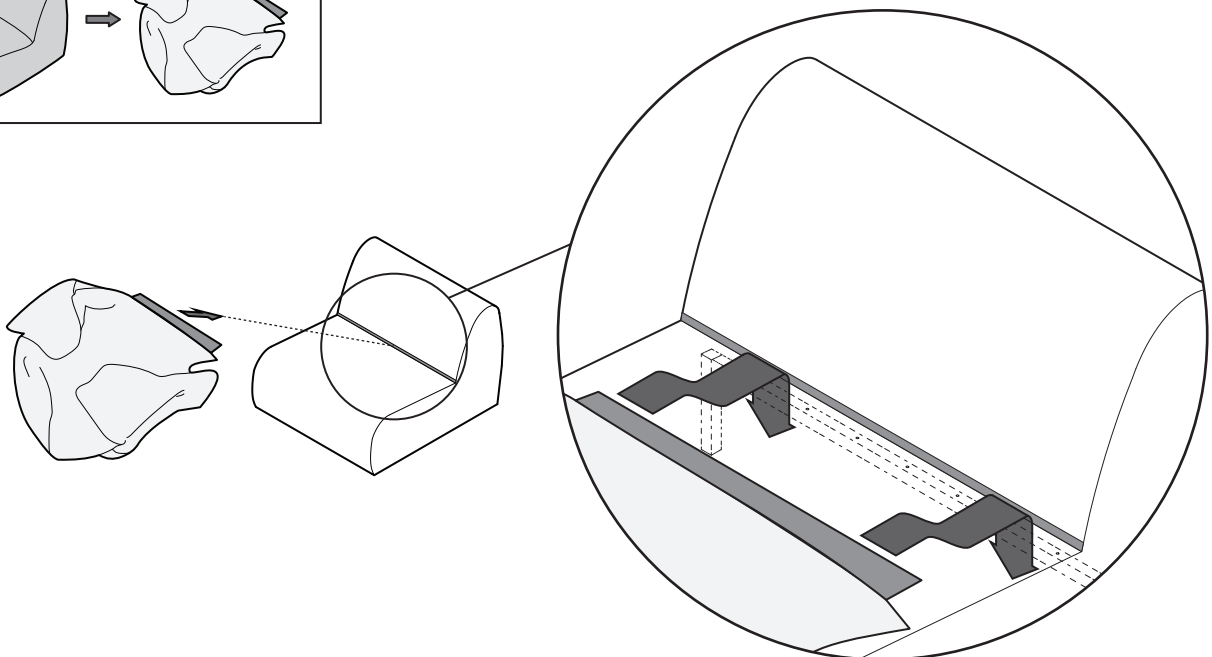
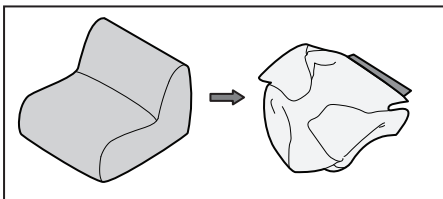
Cover Installation: Chair | Chaise | 2-Seater

1

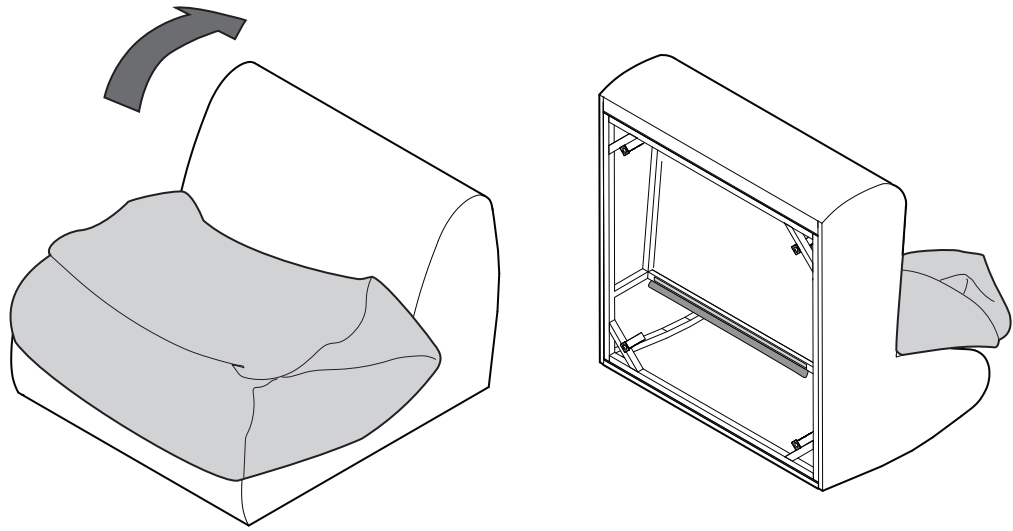


Line up side panels of cover and module before applying cover

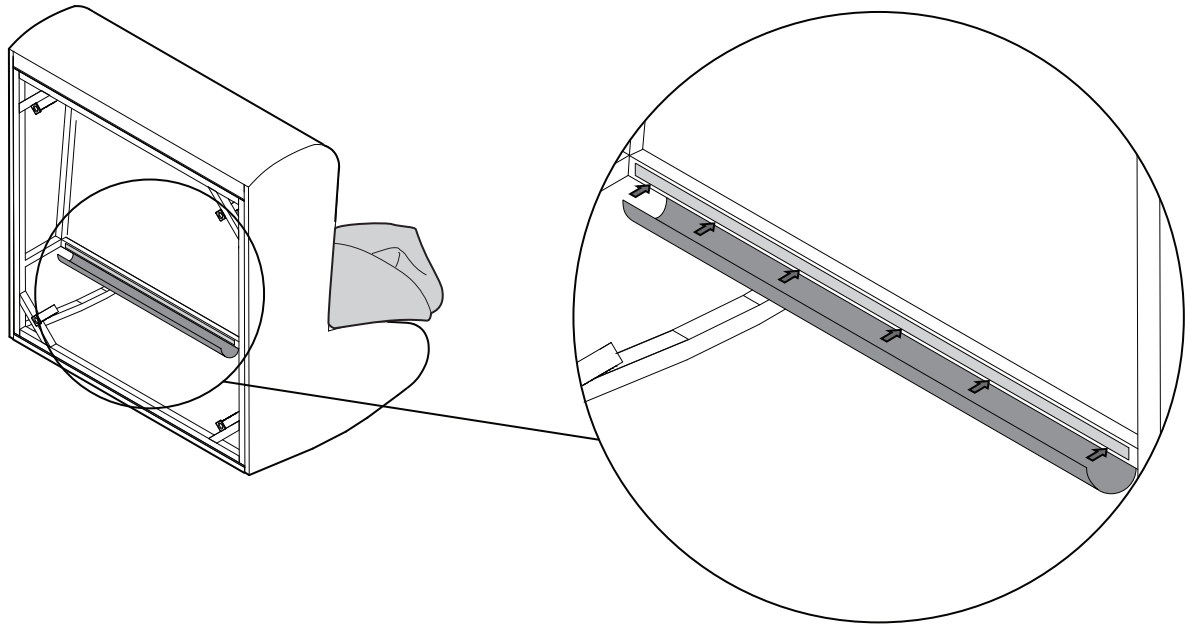
2



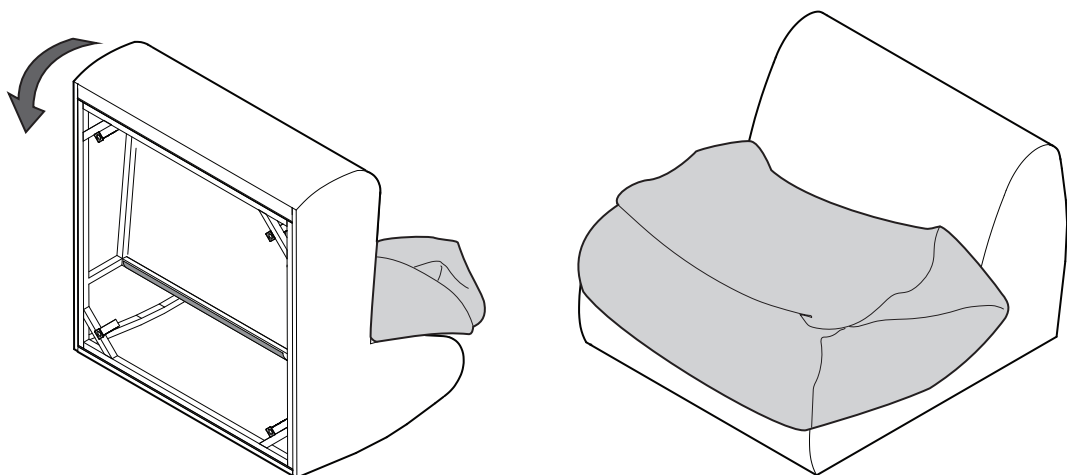
3



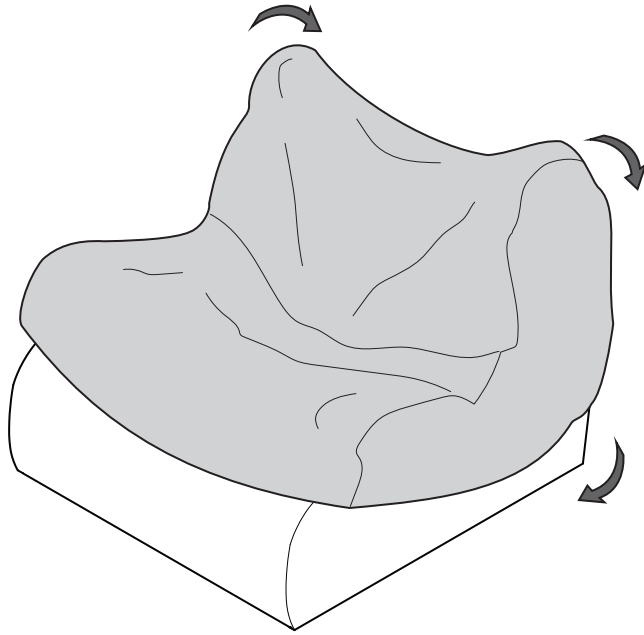
4



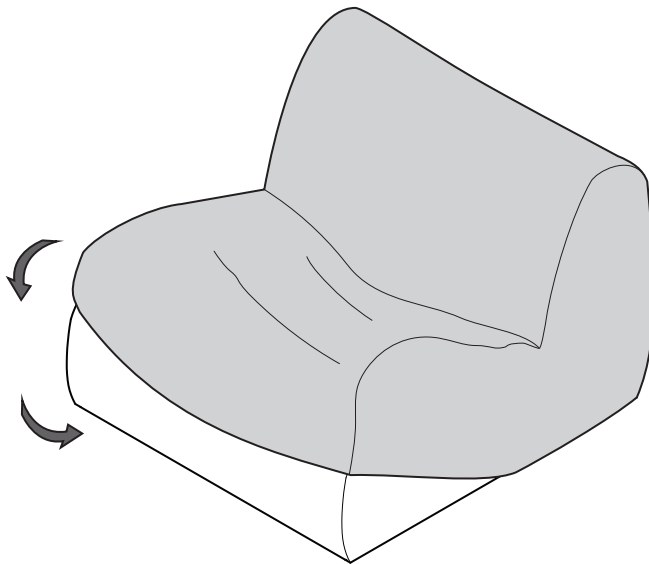
5



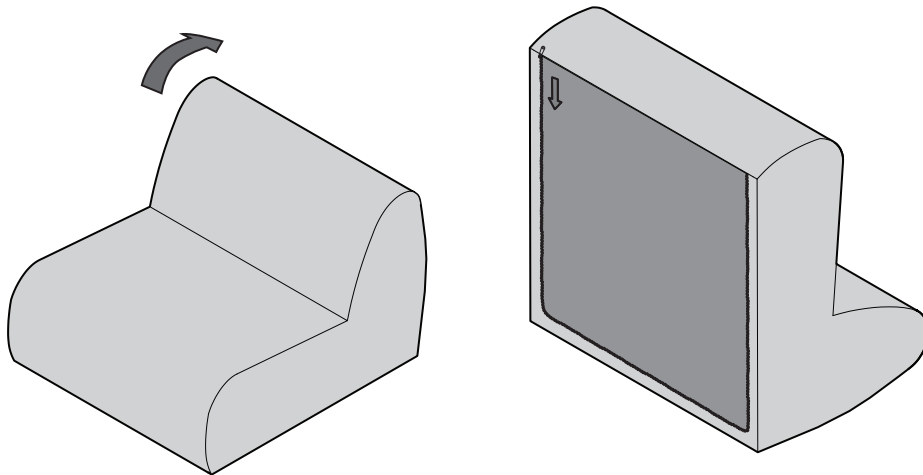
6



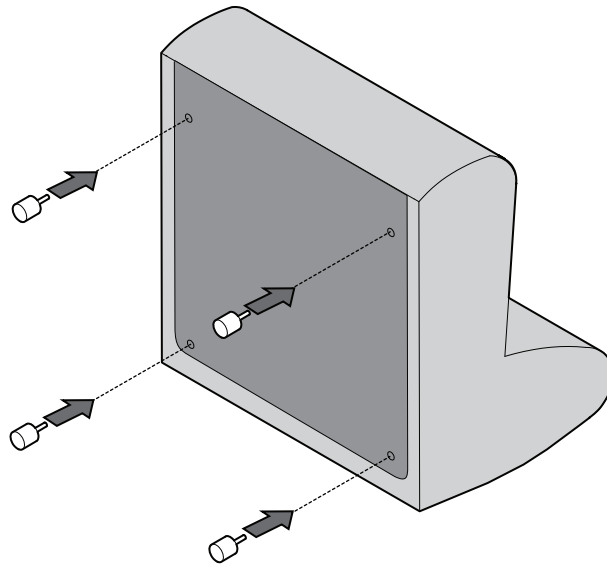
7



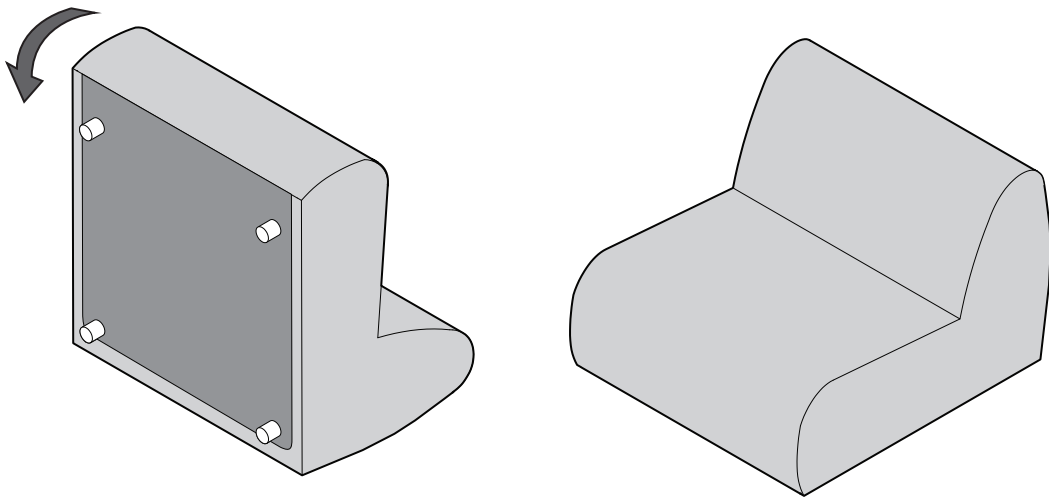
8



9

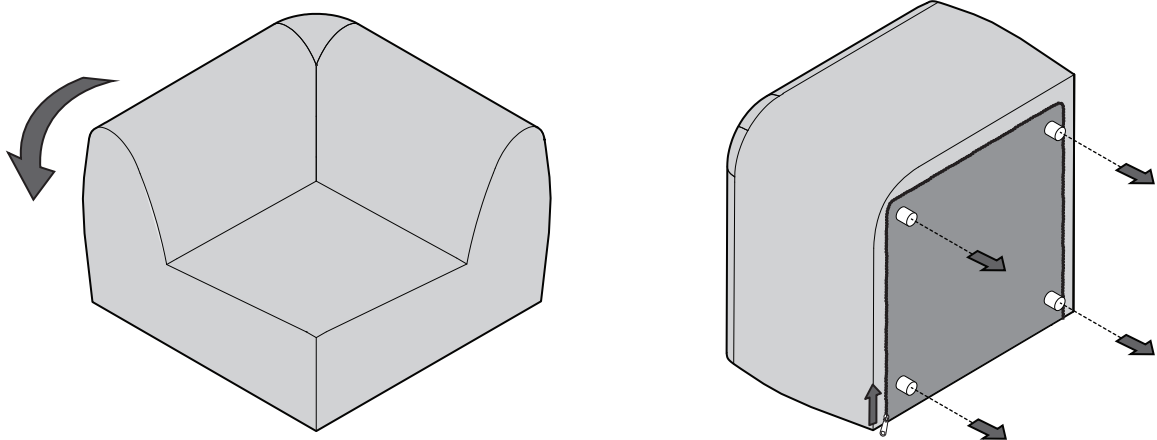


10

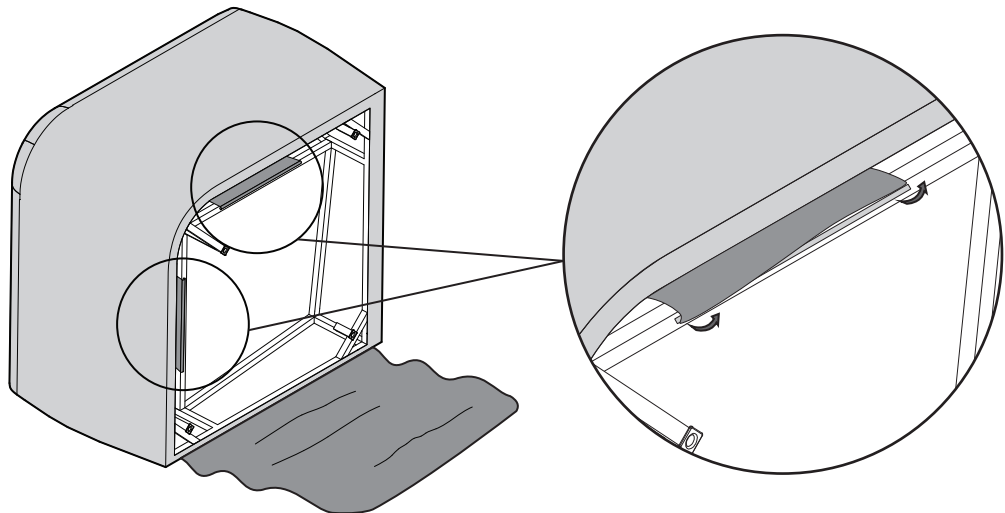


Cover Removal: Corner

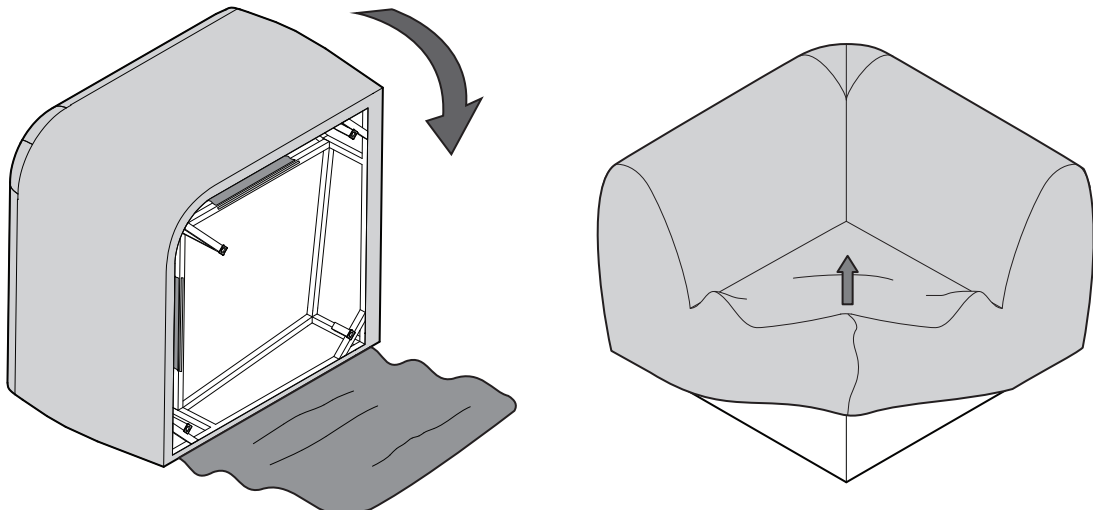
1



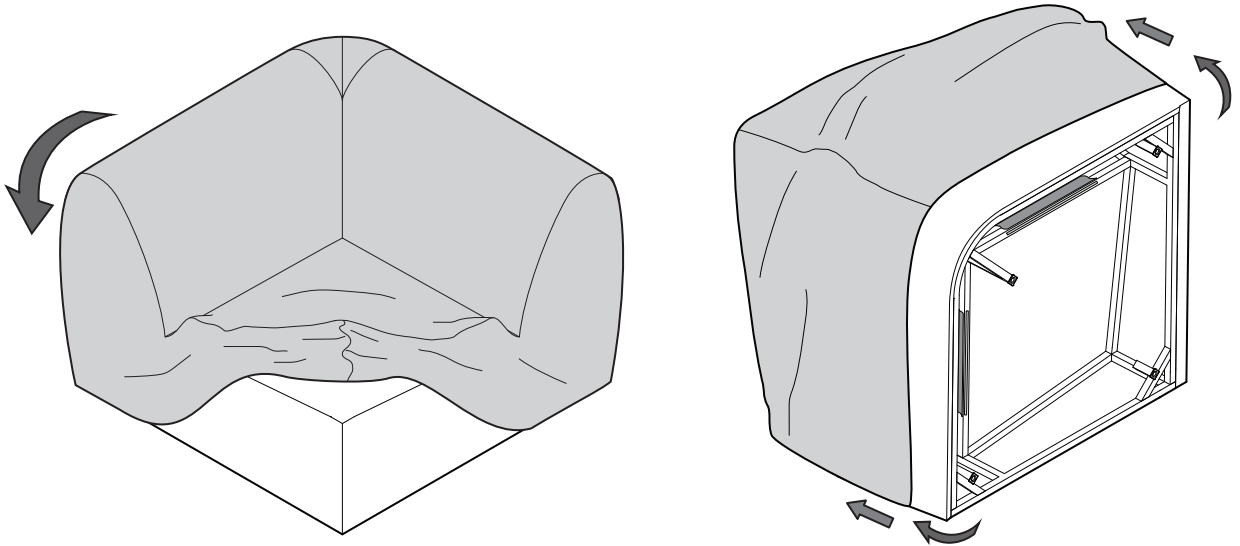
2



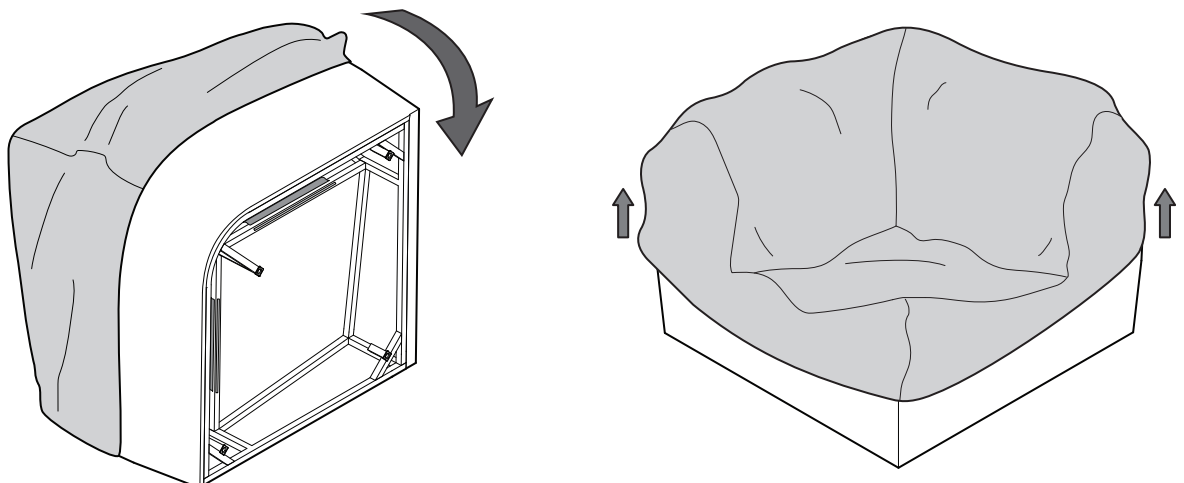
3



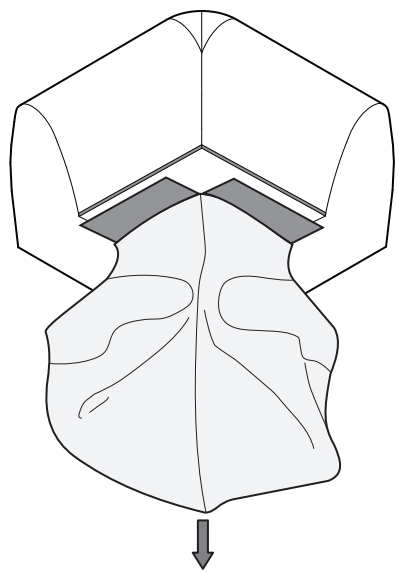
4



5

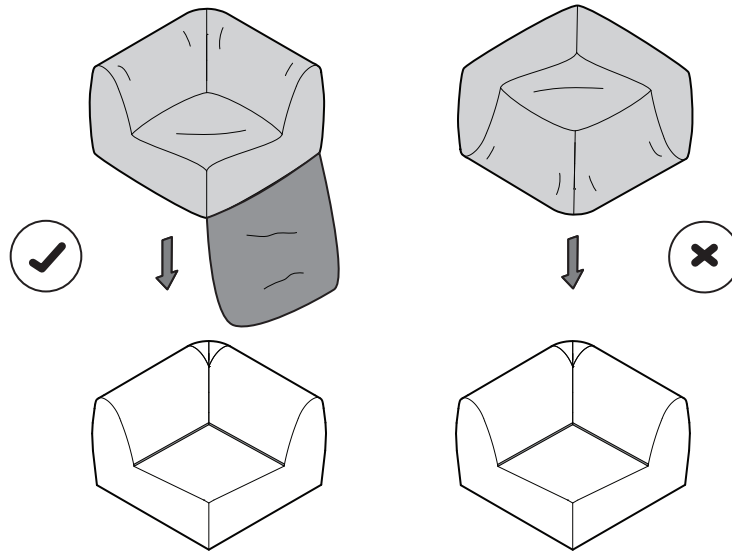


6



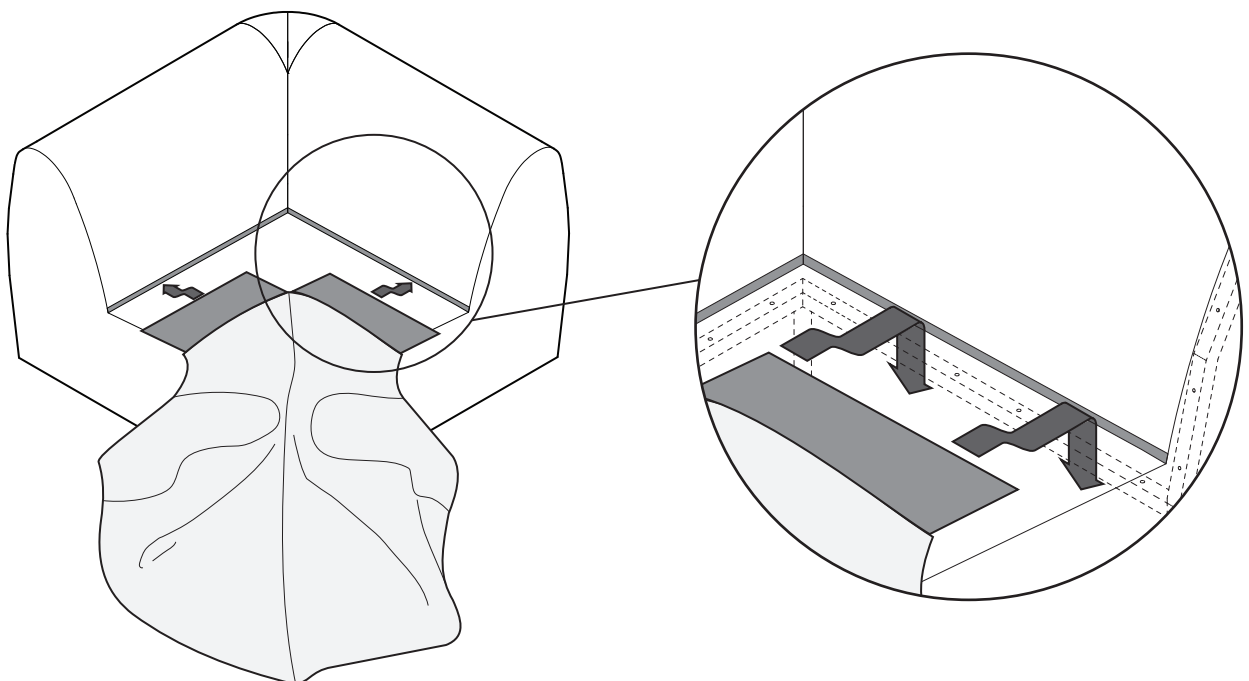
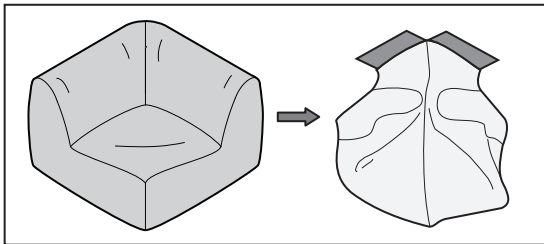
Cover Installation: Corner

1

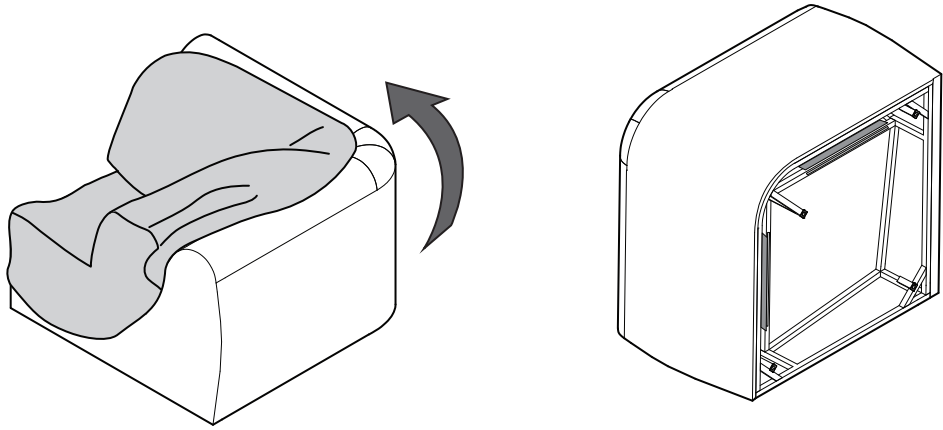


Line up side panels of cover and module before applying cover

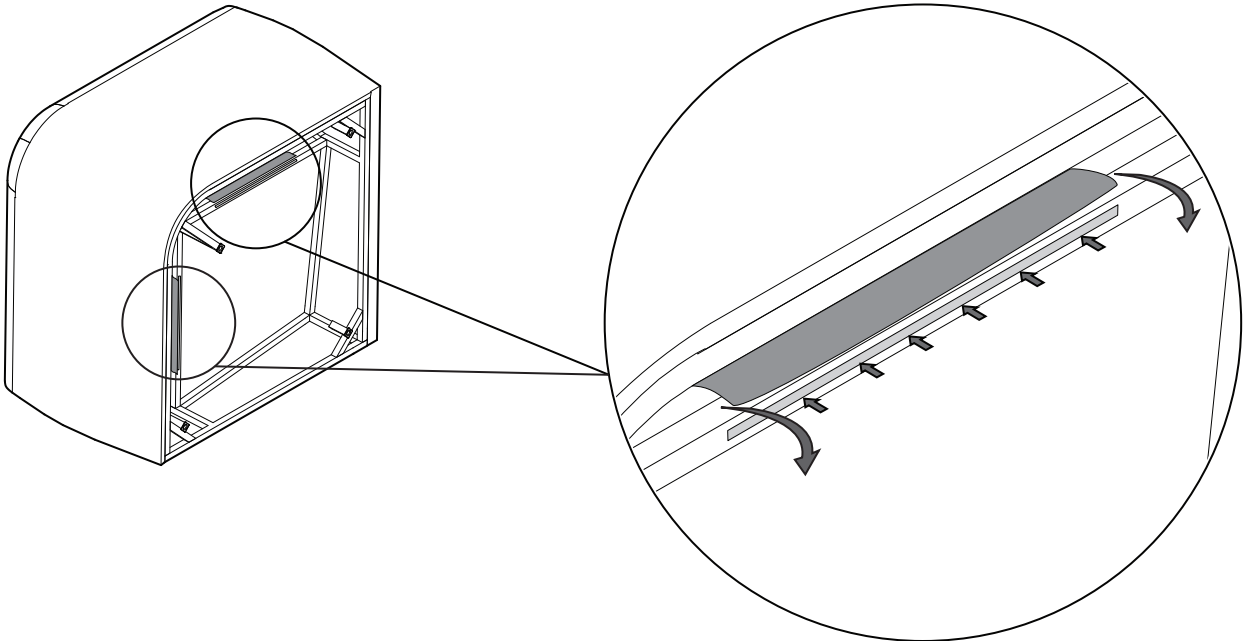
2



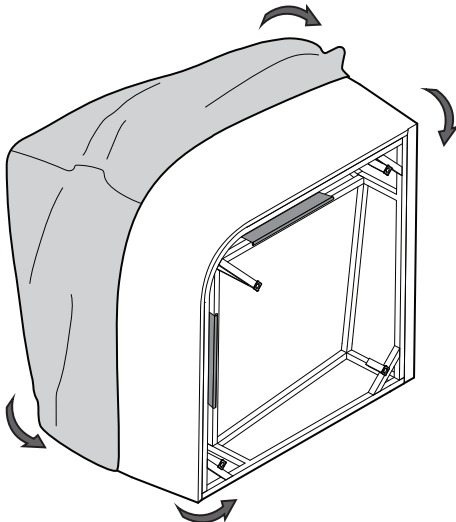
3



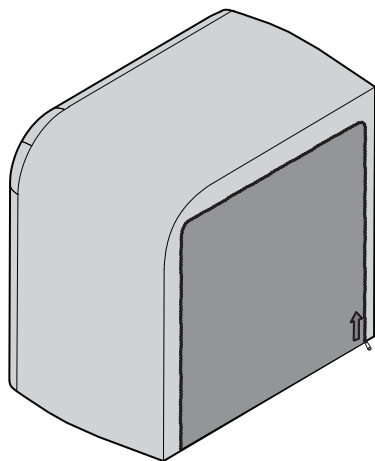
4



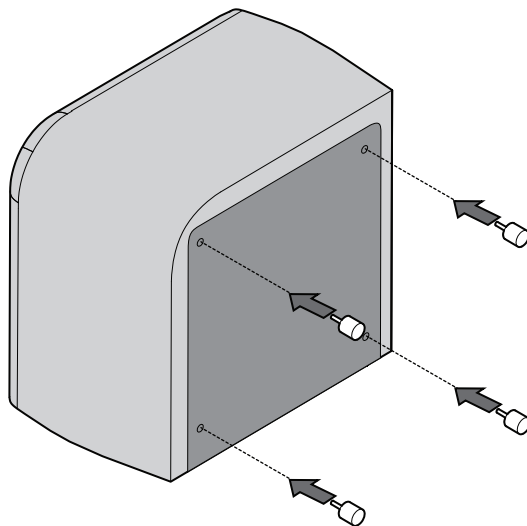
5



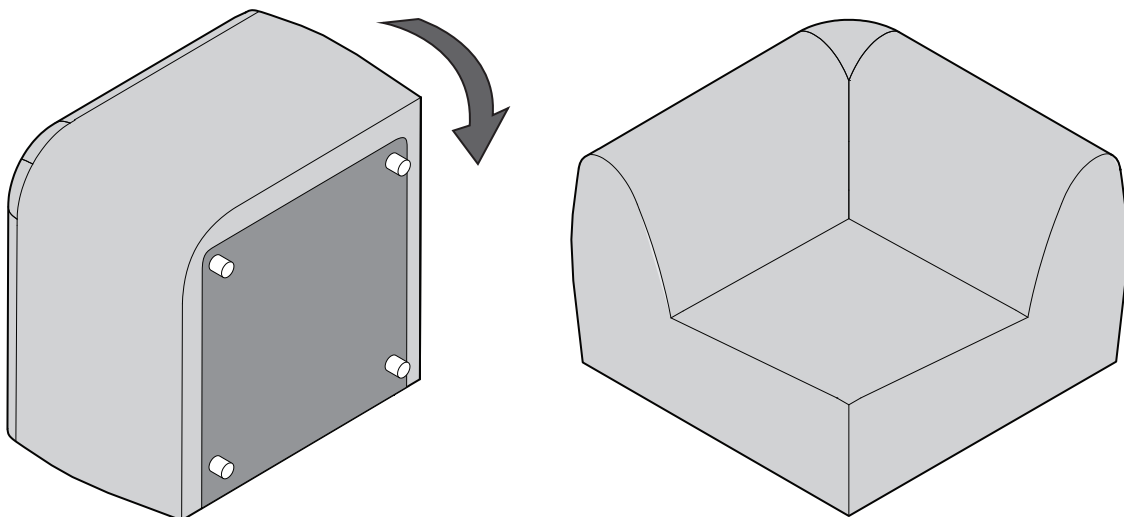
6



7

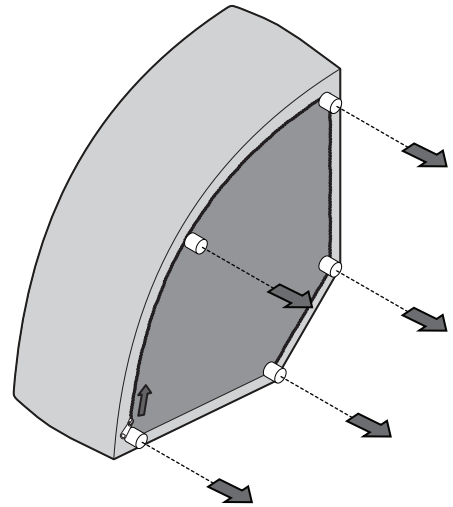
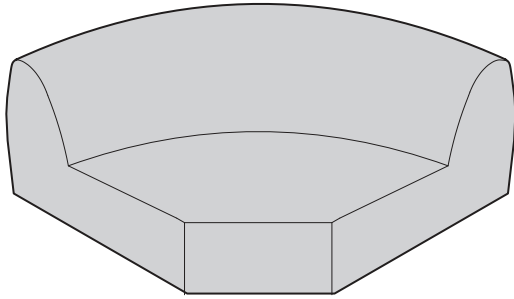


8

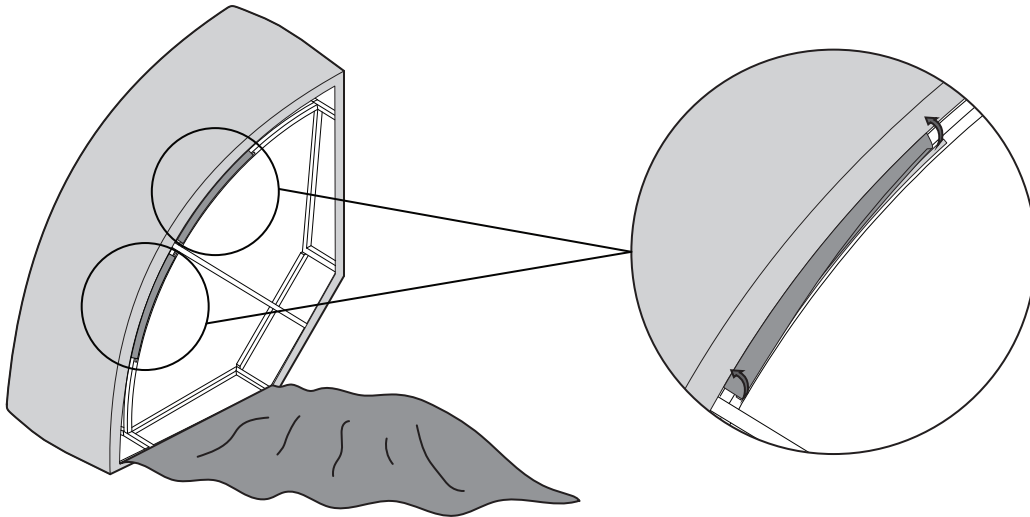


Cover Removal: Curve

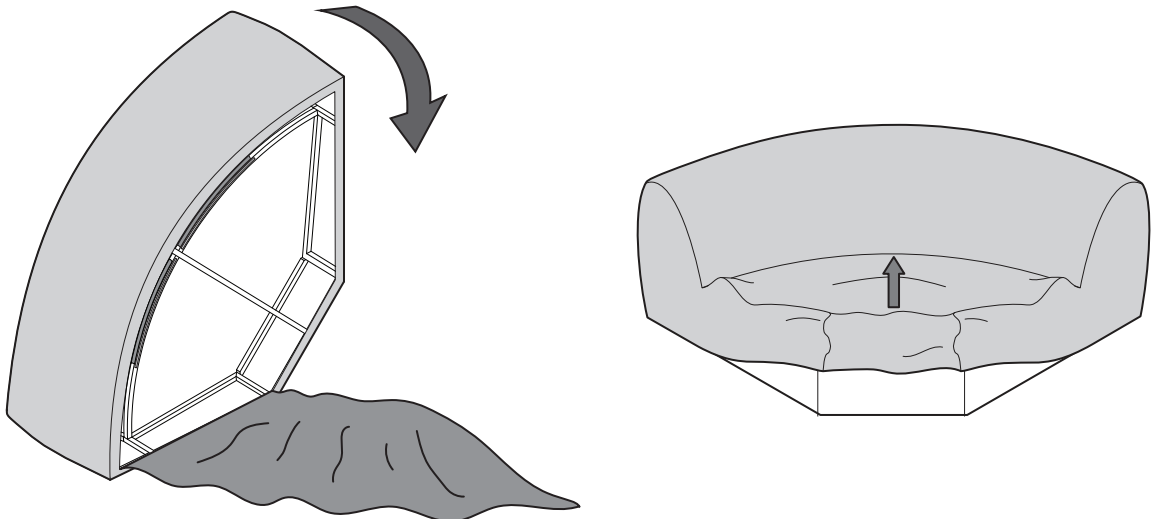
1



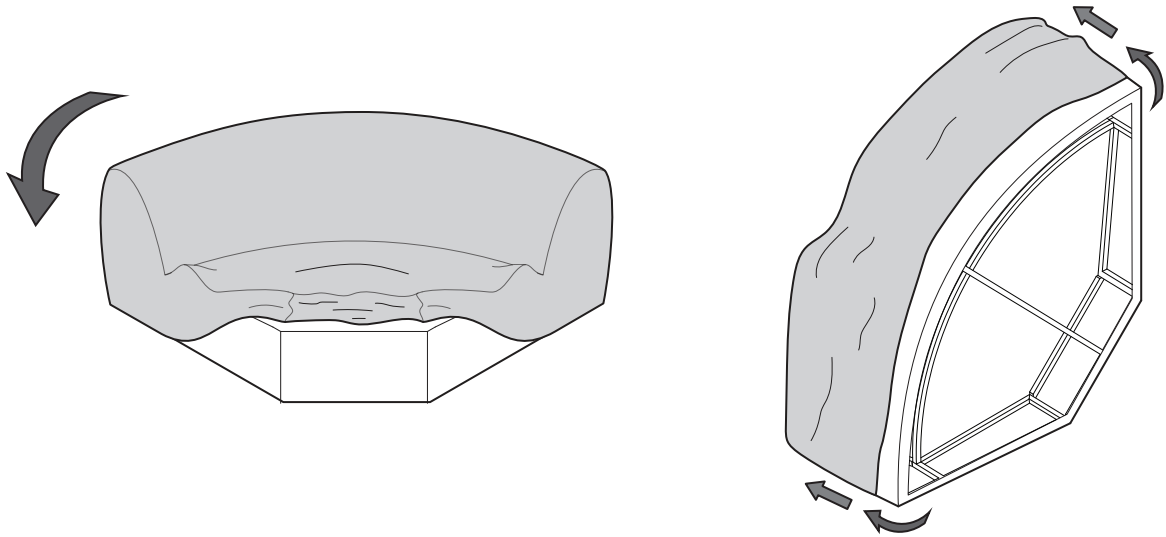
2



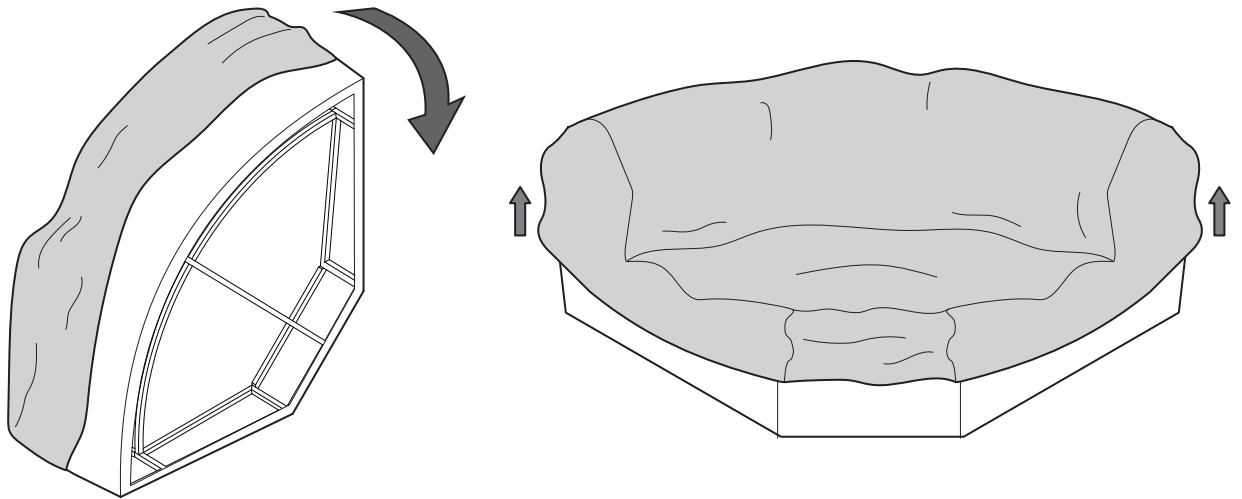
3



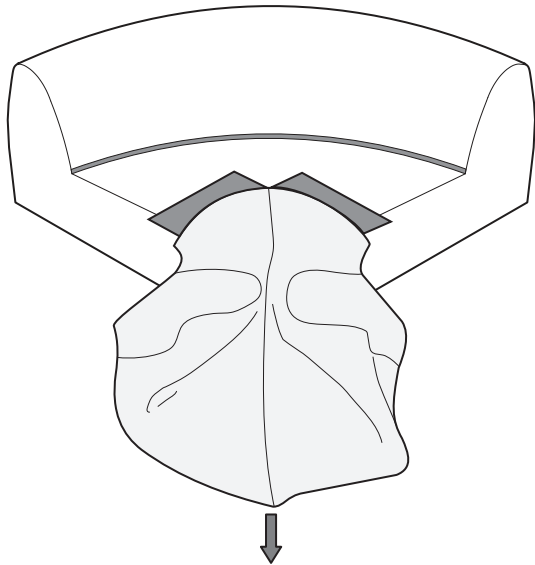
4



5

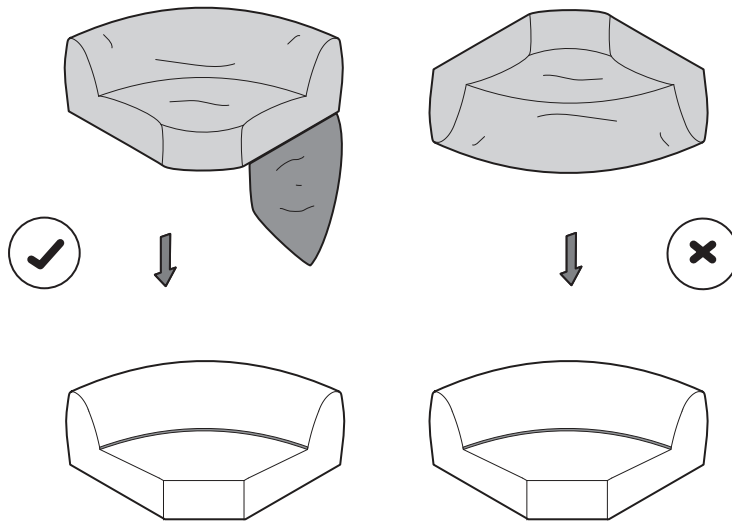


6



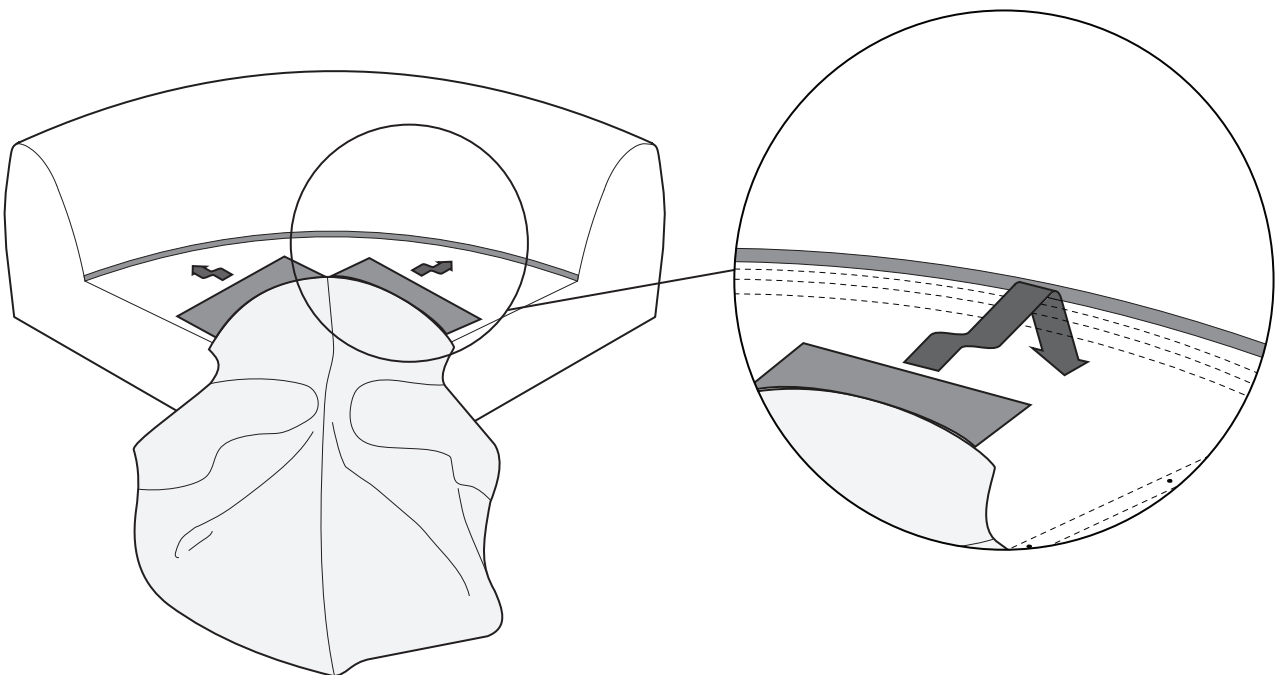
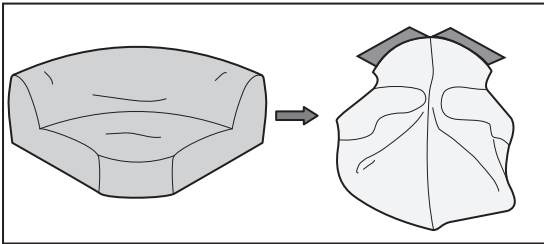
Cover Installation: Curve

1

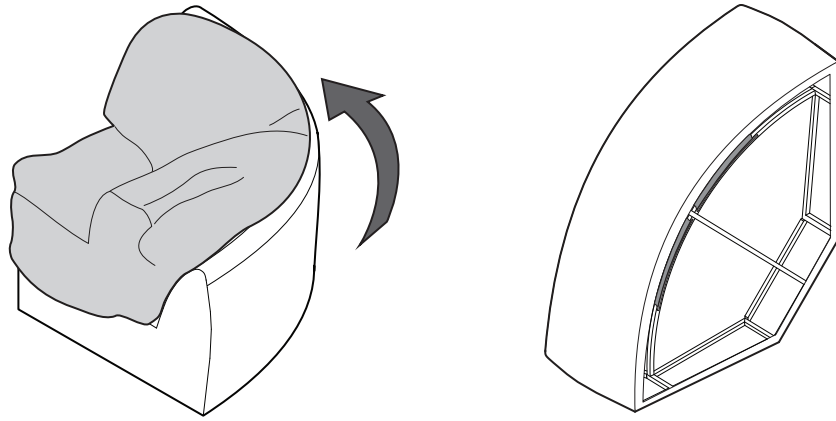


Line up side panels of cover and module before applying cover

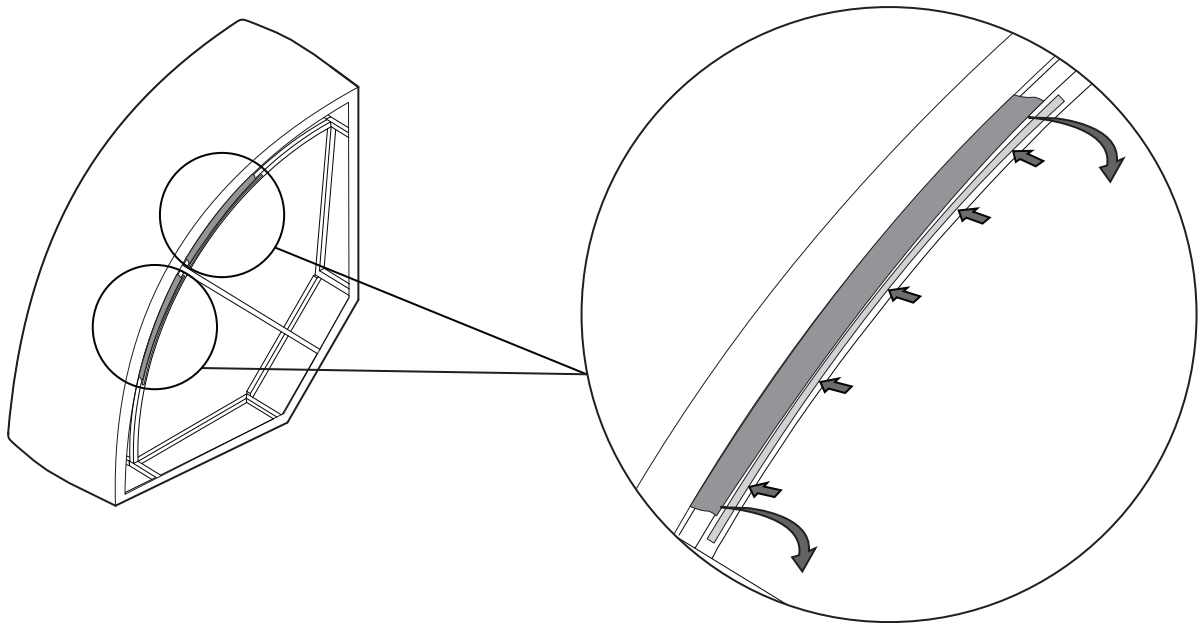
2



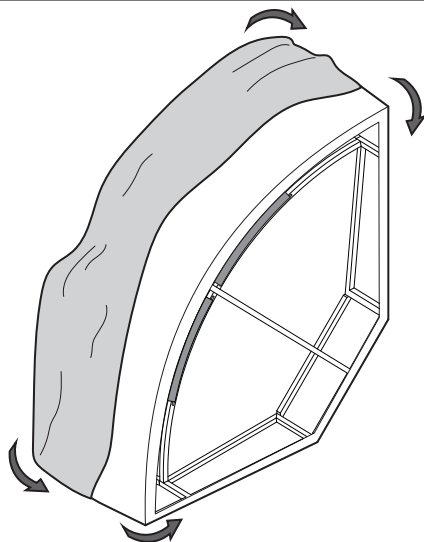
3



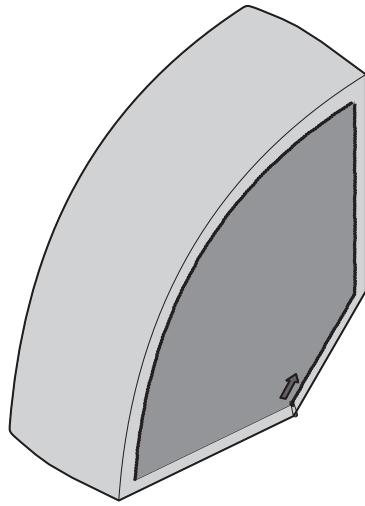
4



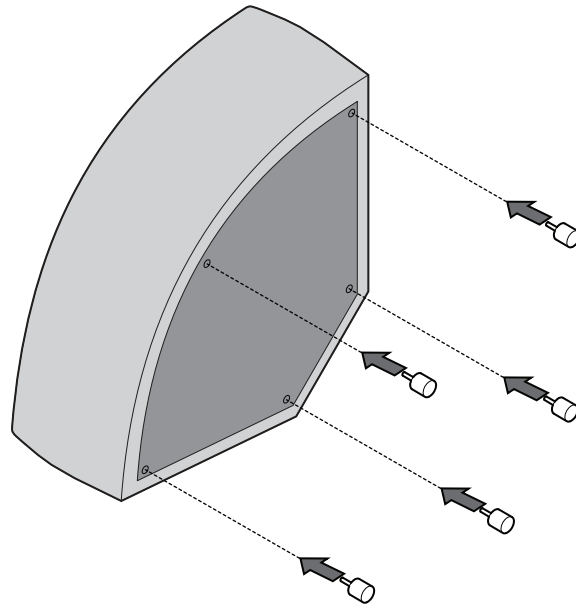
5



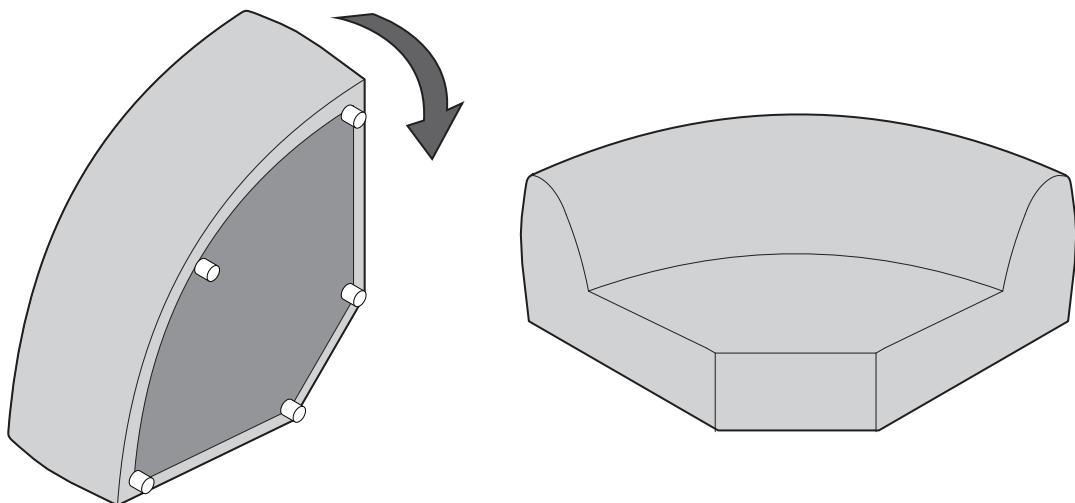
6



7

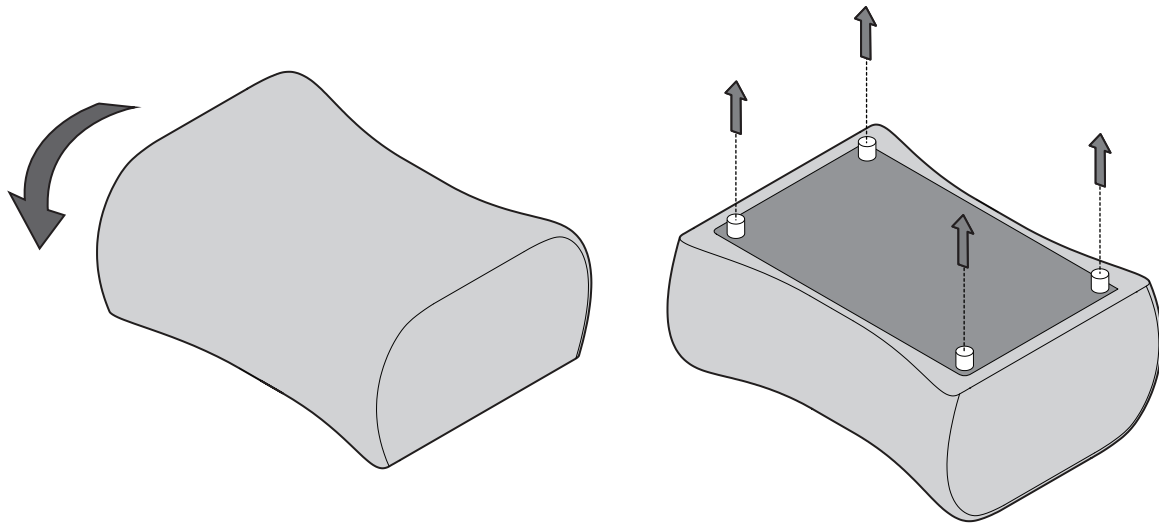


8

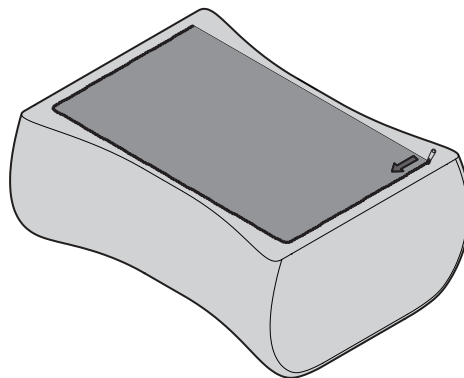


Cover Removal: Ottoman

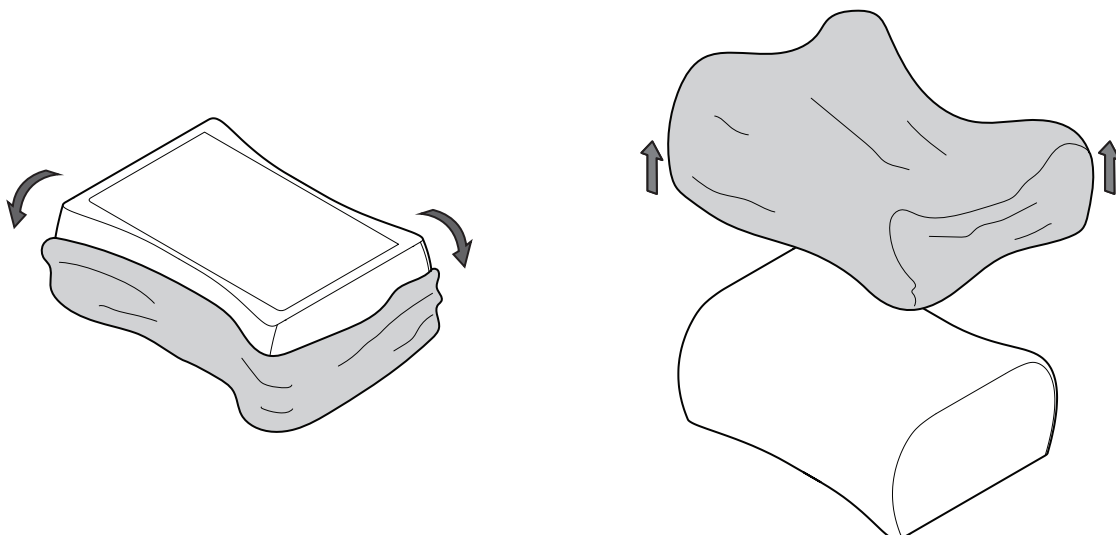
1



2

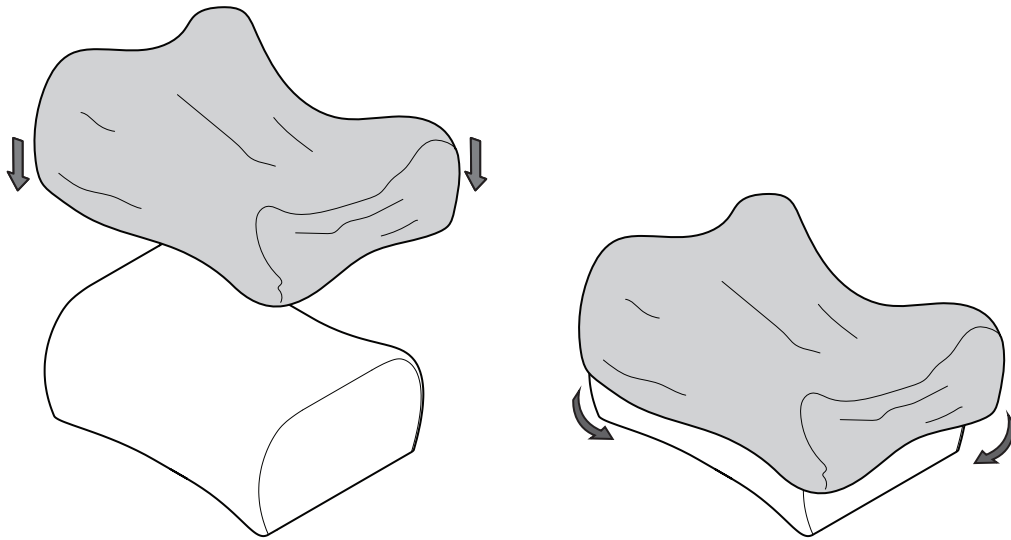


3

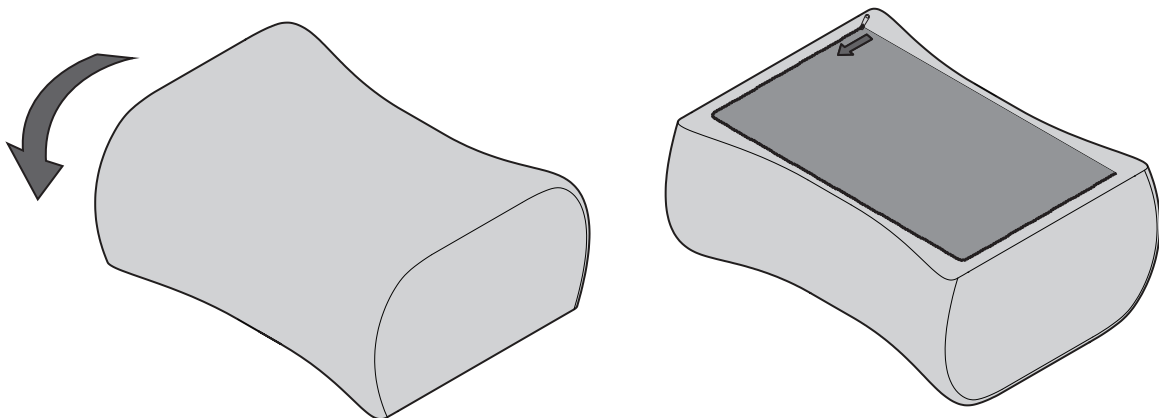


Cover Installation: Ottoman

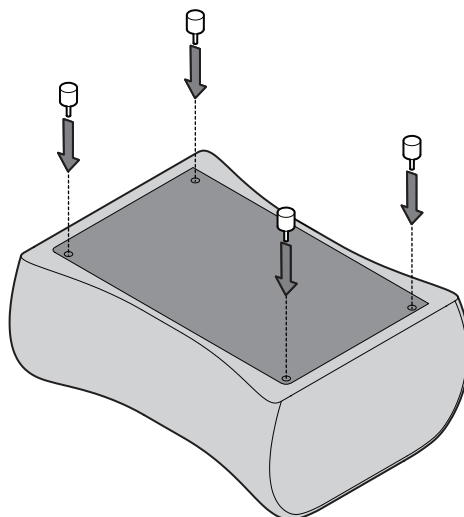
1



2



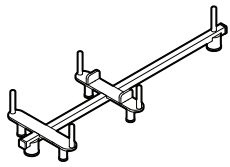
3



Arm Installation

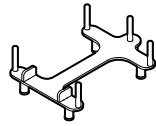
Arm Bracket

Compatible* for left-hand or right-hand configurations:

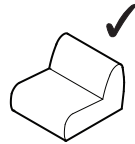


Long
Bracket

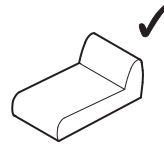
OR



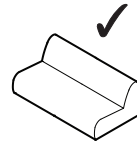
Short
Bracket



Chair



Chaise

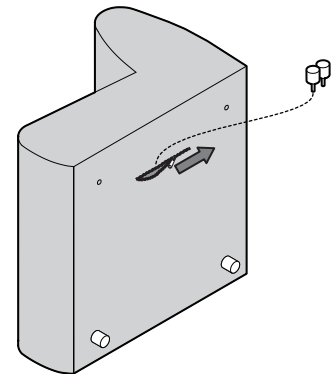
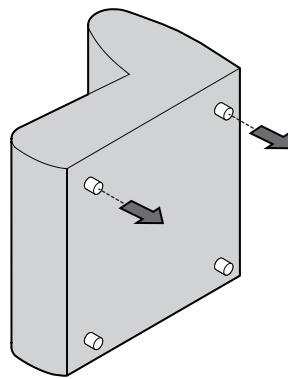
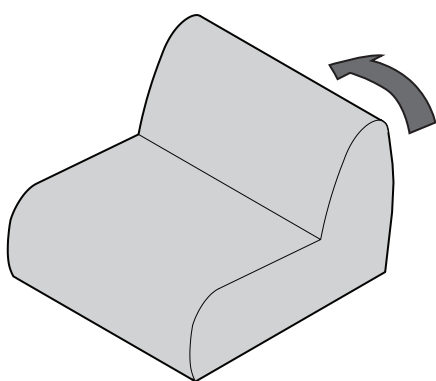


2-Seater

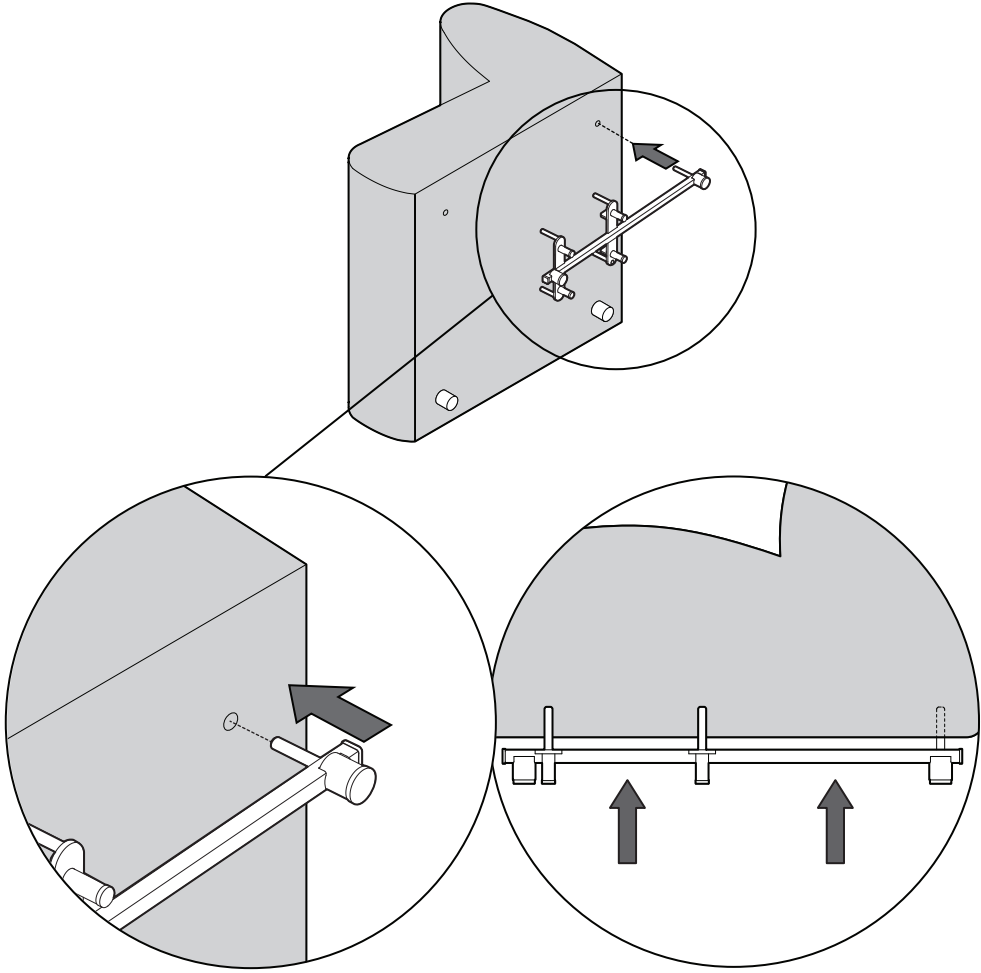
*Arm Bracket compatible with Standard Fixed Height Legs only: 45mm (1.75")
Not compatible with Height Adjustable Legs

Long Bracket

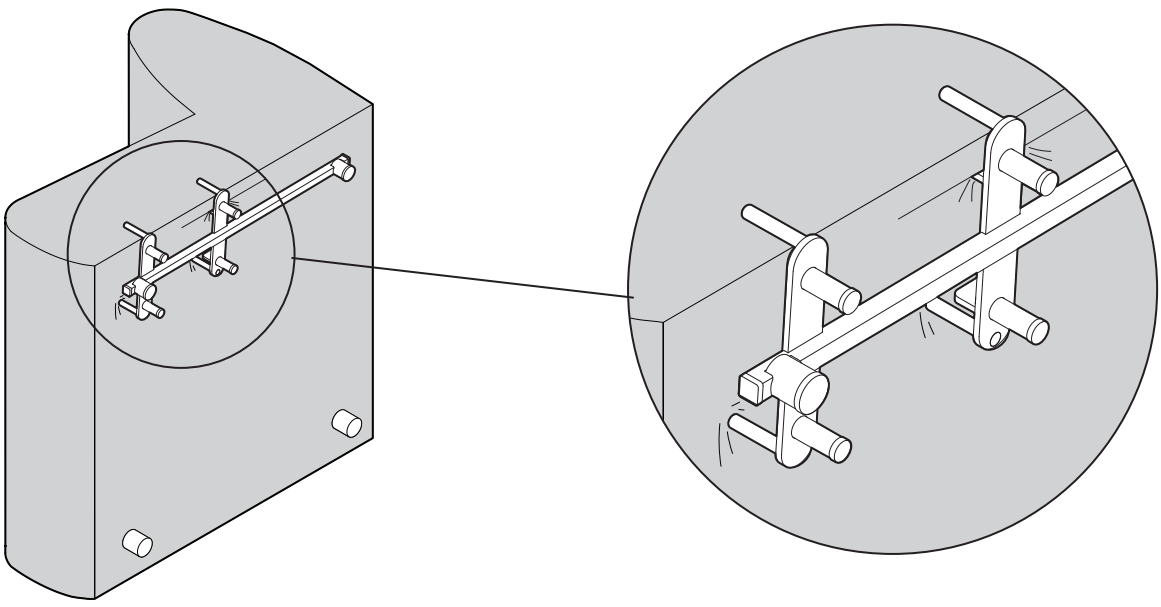
1



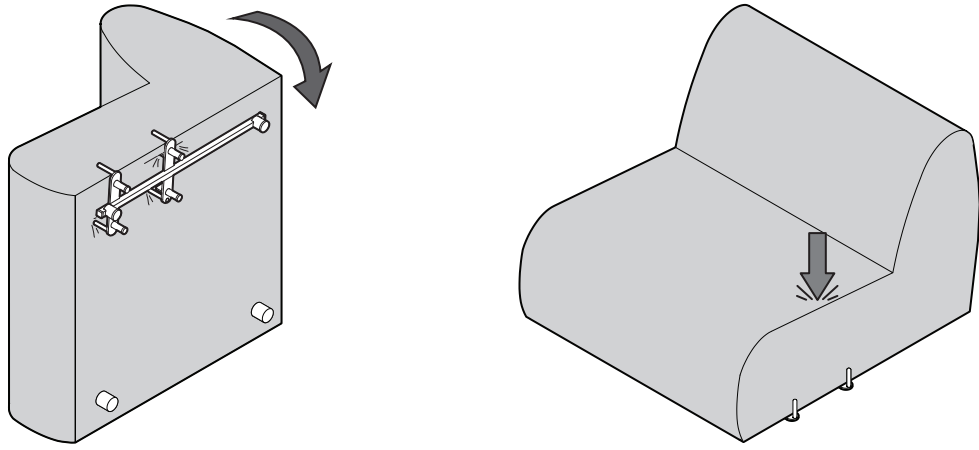
2



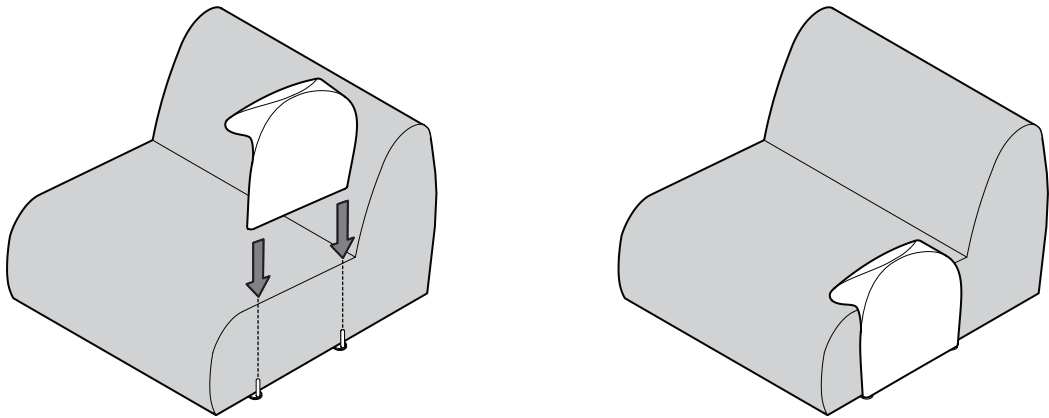
3



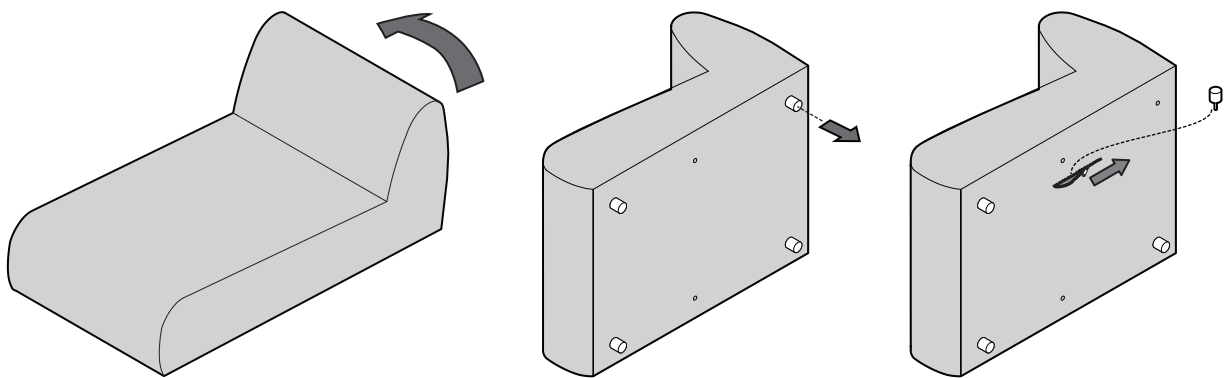
4



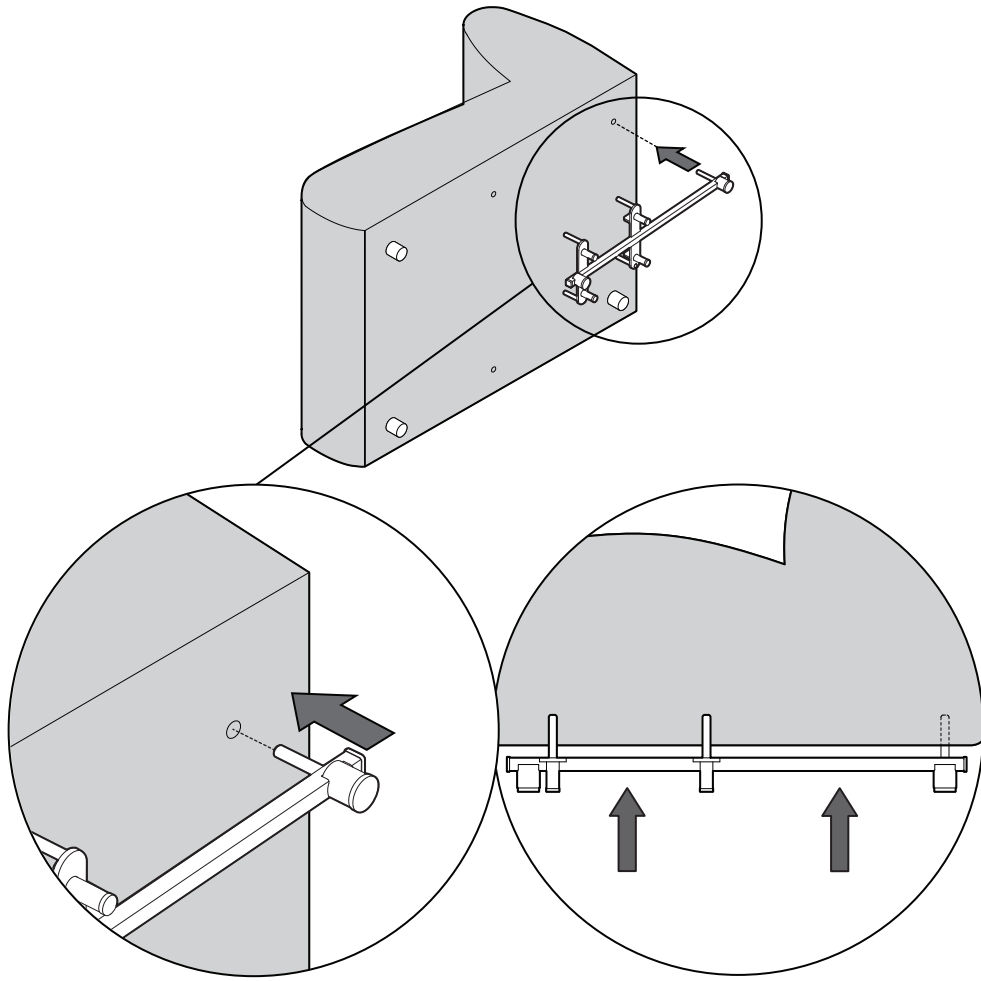
5



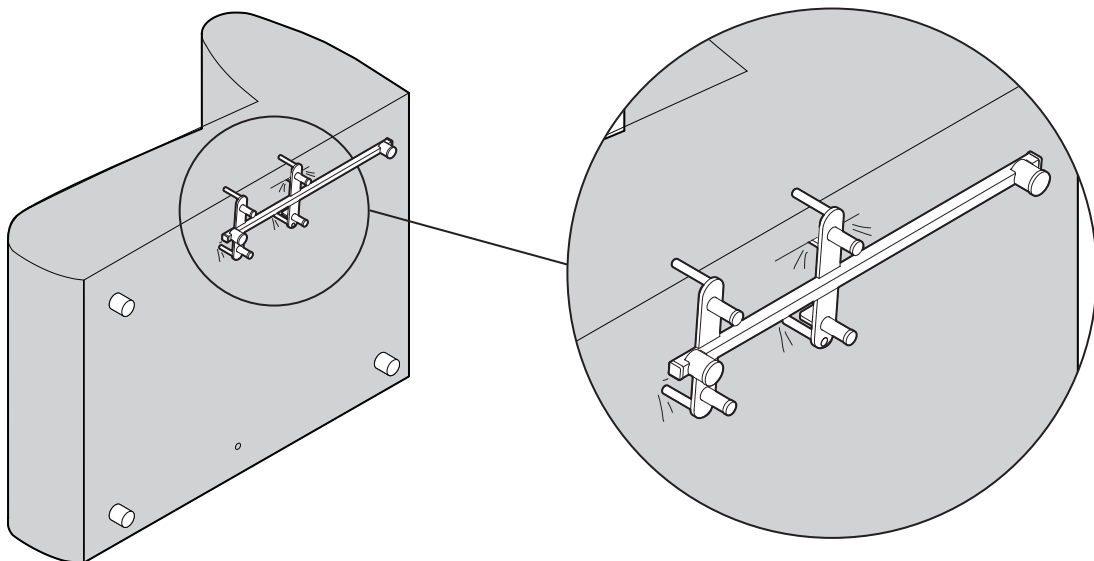
6



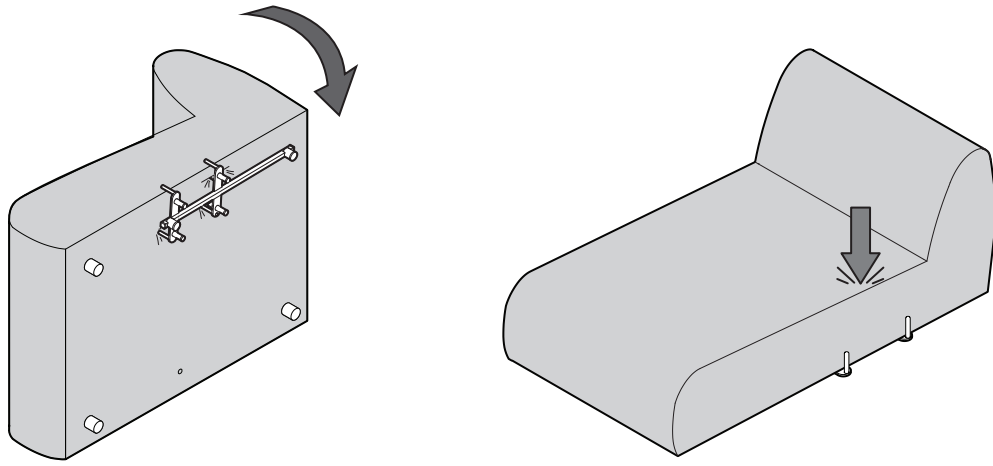
7



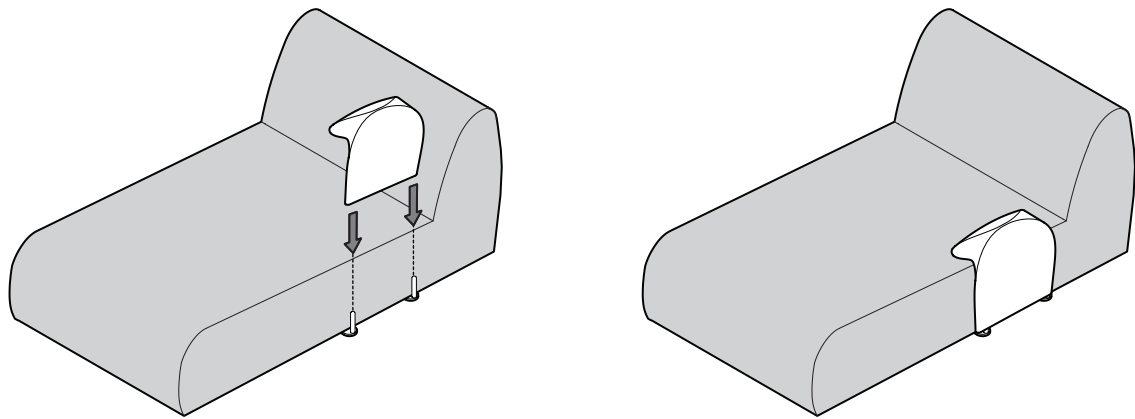
8



9

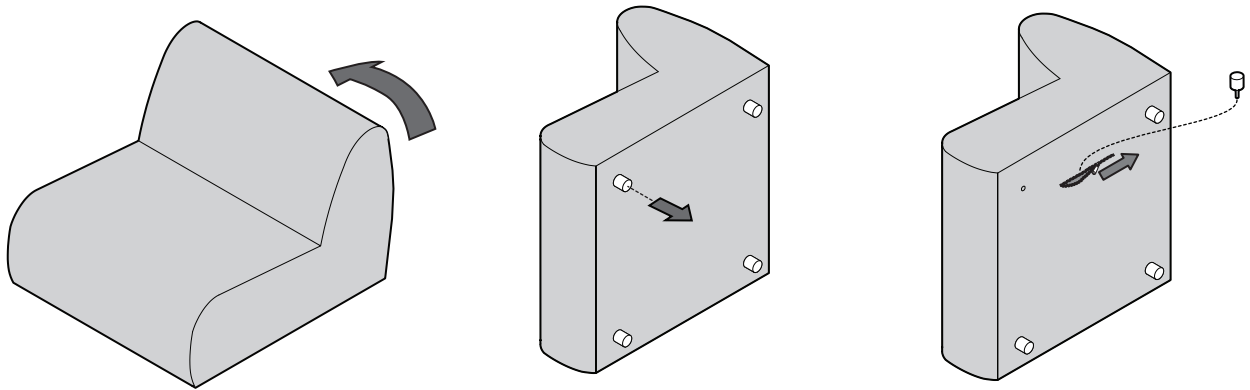


10

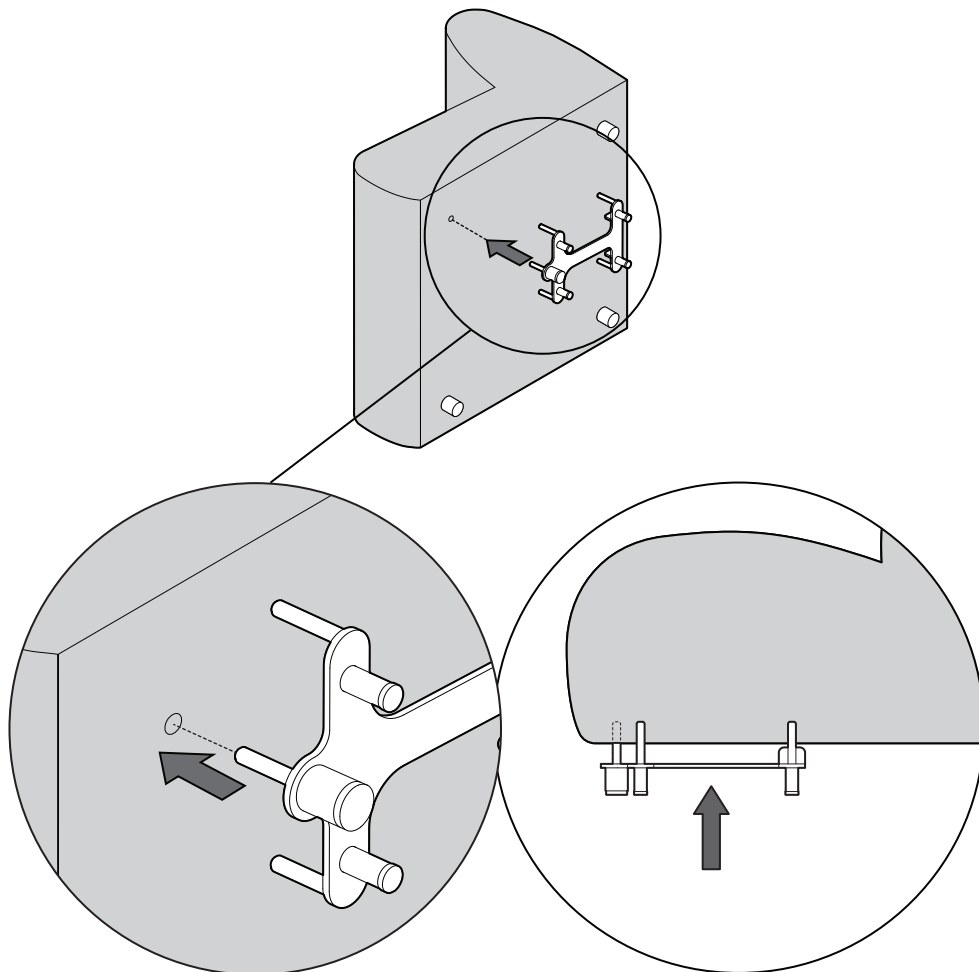


Short Bracket

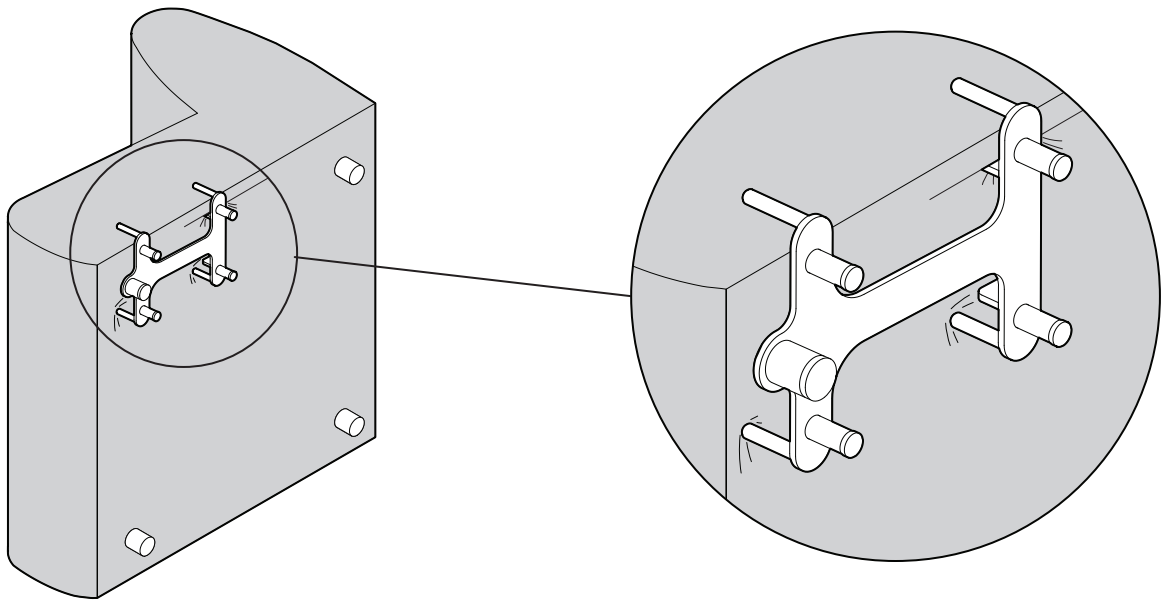
1



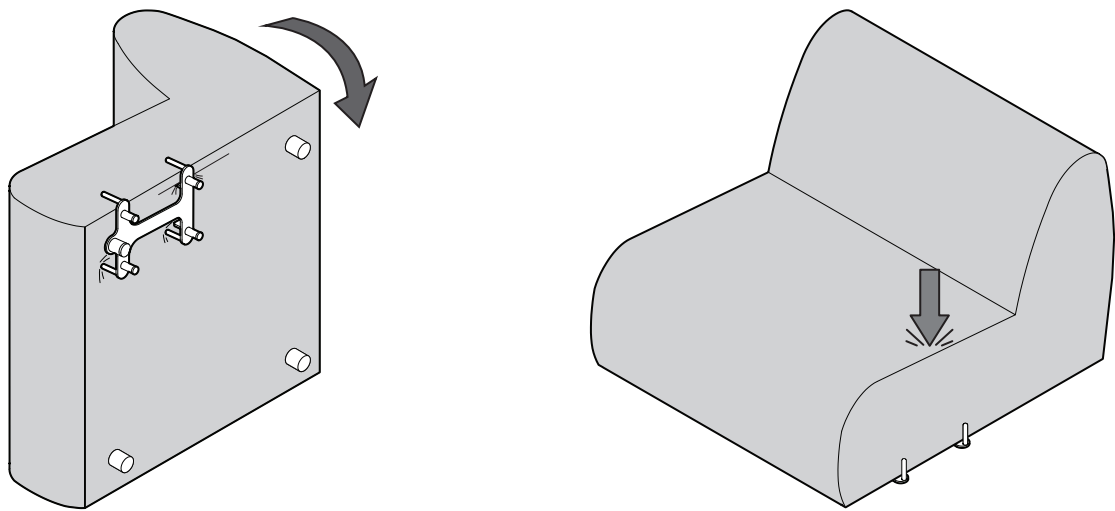
2



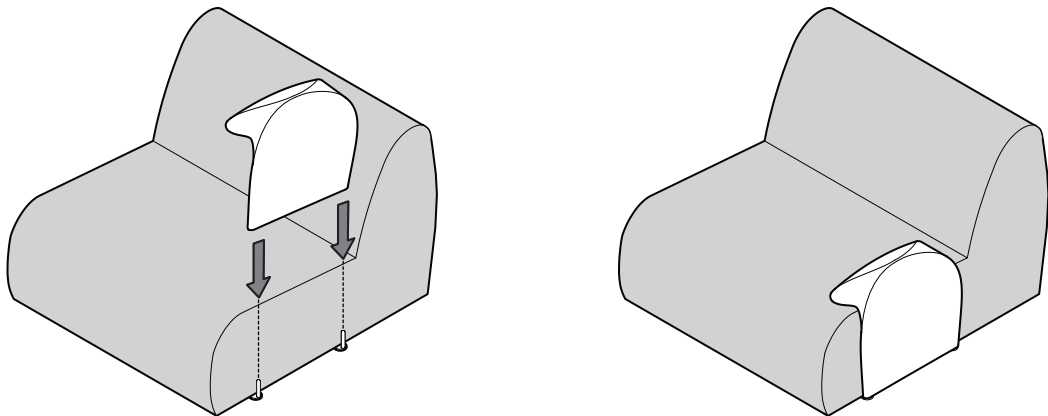
3



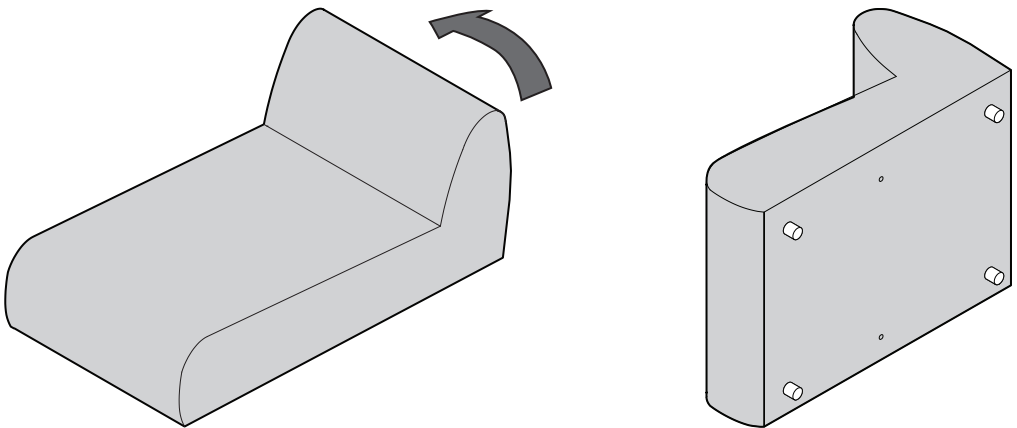
4



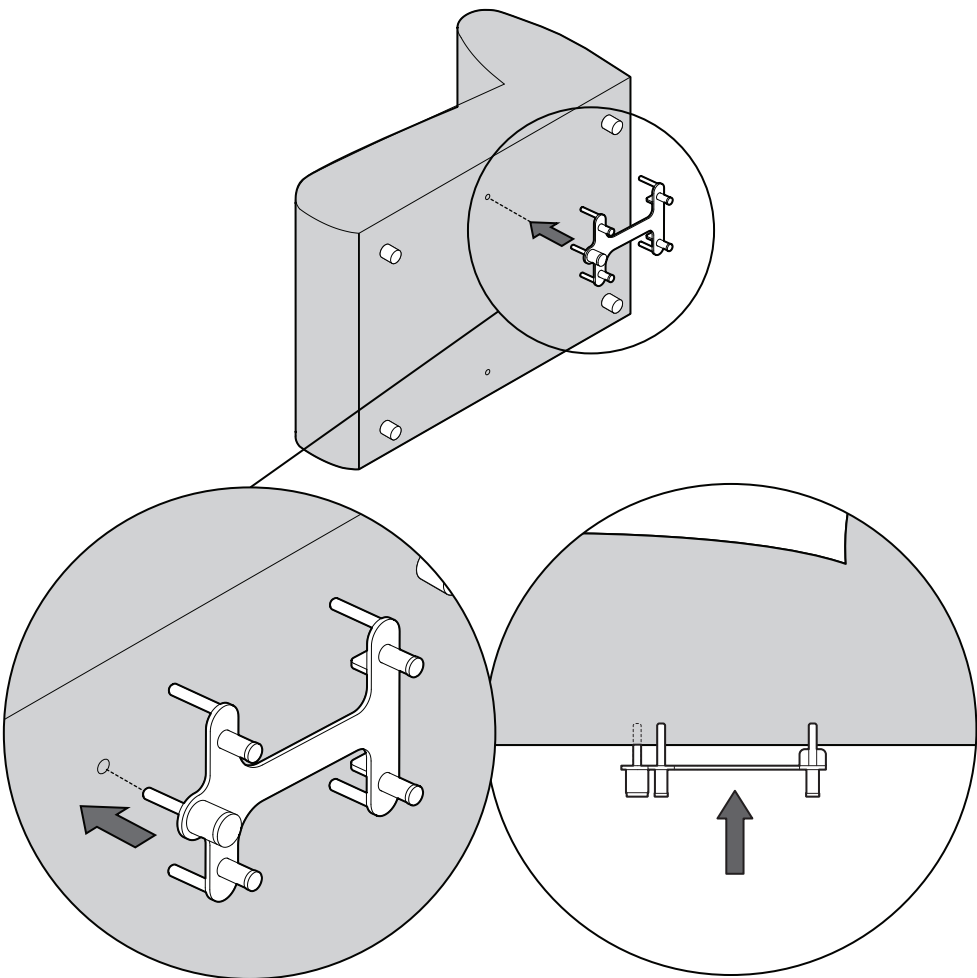
5



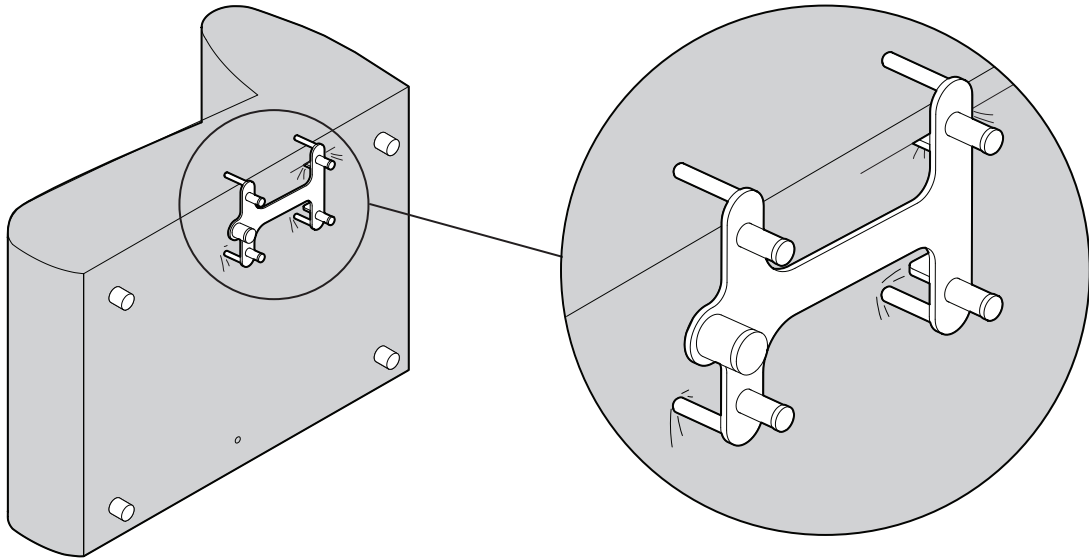
6



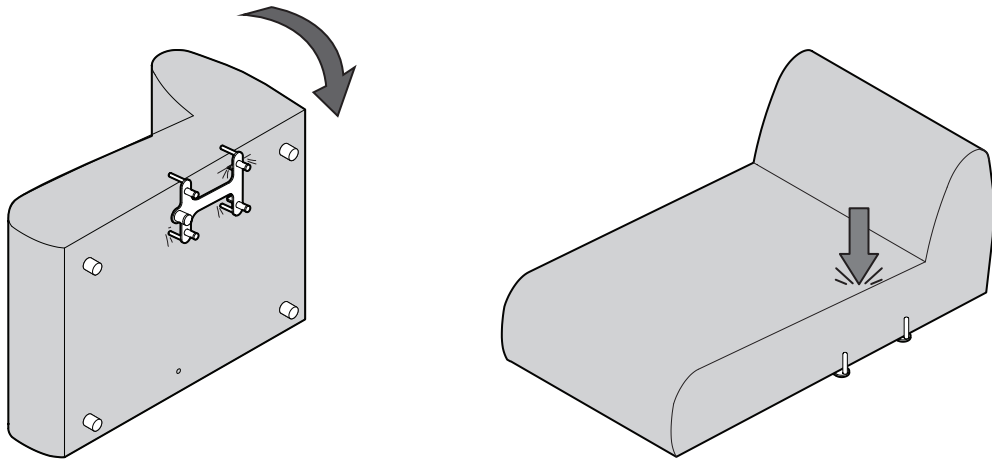
7



8



9



10

