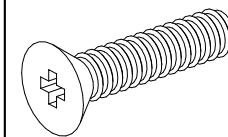
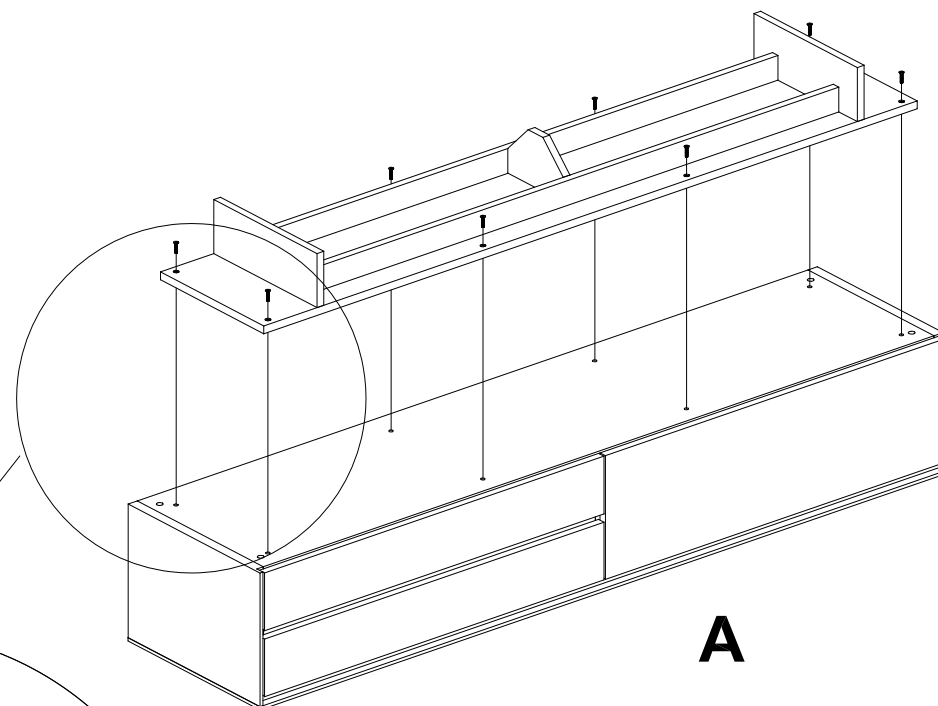


ASSEMBLY INSTRUCTION

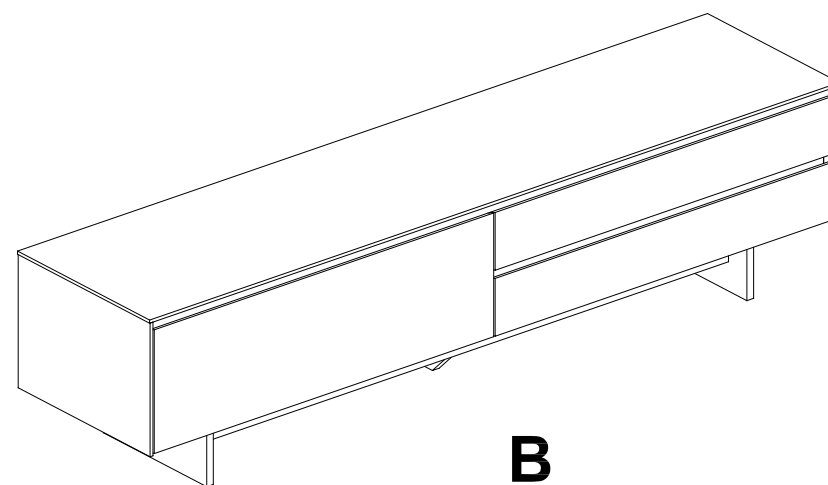
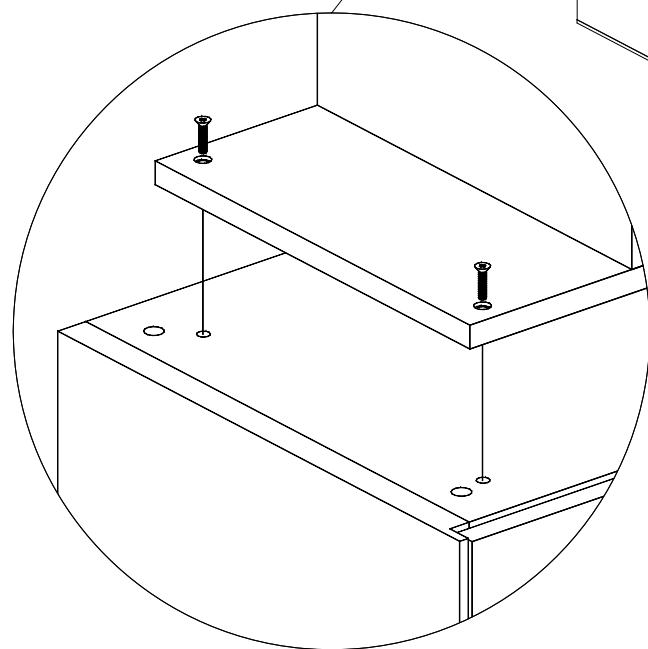
ITEM#: D815



Φ 6*30=8



A



B