

## Heritage Oval Extension Table

### Assembly | User Guide

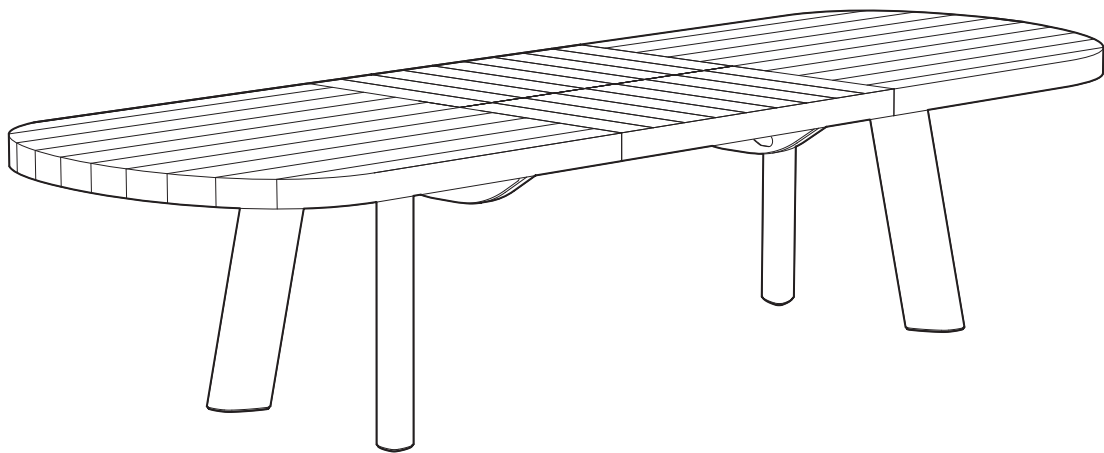


Product Care

**Two people required for safe assembly**

**Opening Boxes:** DO NOT use a knife to open the packaging as you may damage your furniture. Peel-off the tape, then lift and separate the cardboard flaps to open.

**Please follow these Assembly | User Guide Instructions**

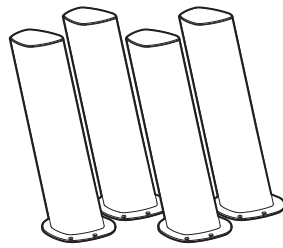
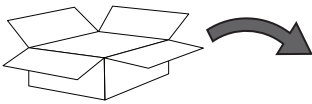
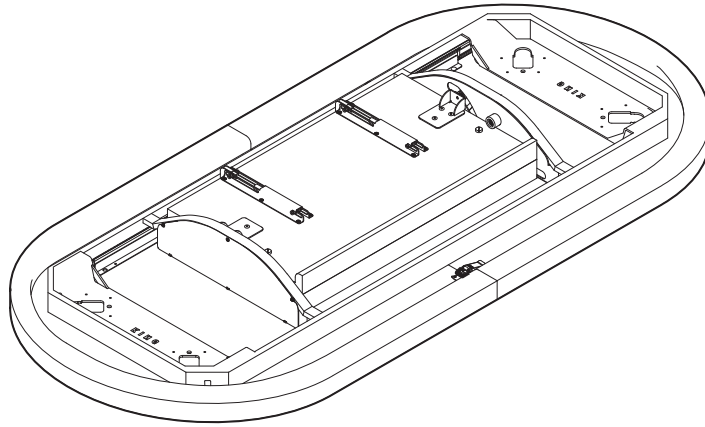
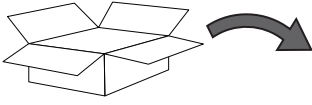


## Contents

---

Assembly .....	3
Aligning Table Top .....	7
Correct Use of Extension Table .....	11
<b>Troubleshooting</b>	
Calibrate Table for Closed Use .....	12
Calibrate for Extended Use .....	16

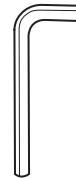
## Assembly



x8



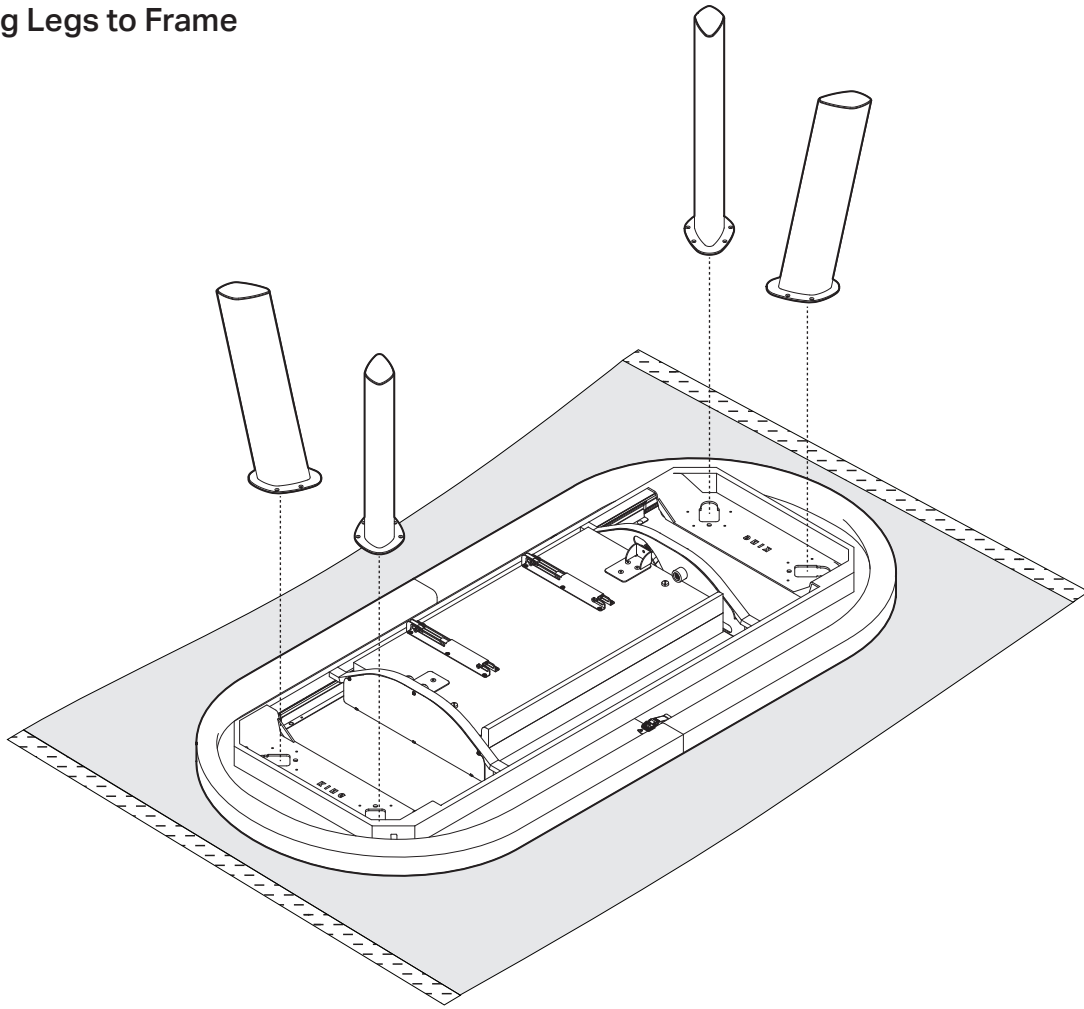
x16



x1 (4mm)

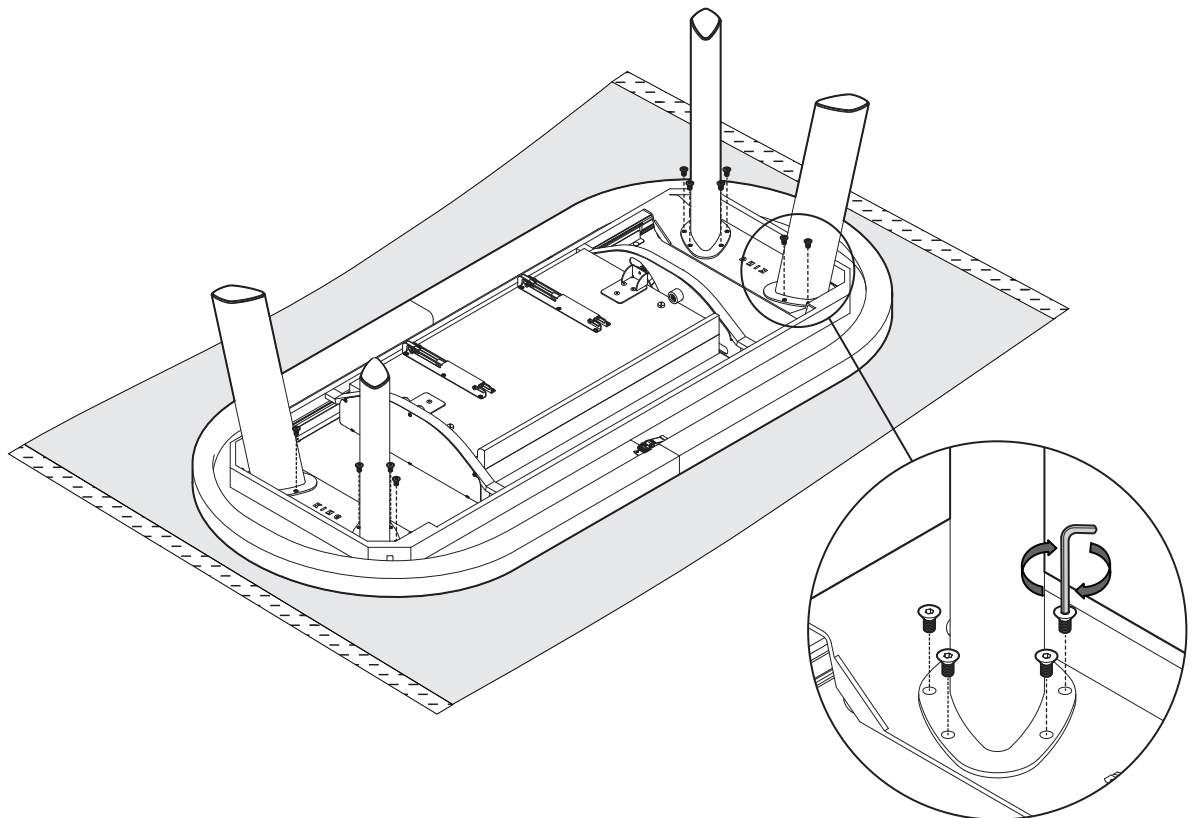
2

Attaching Legs to Frame



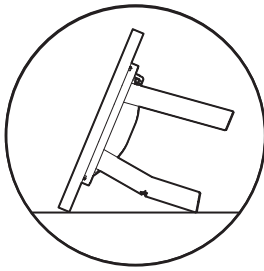
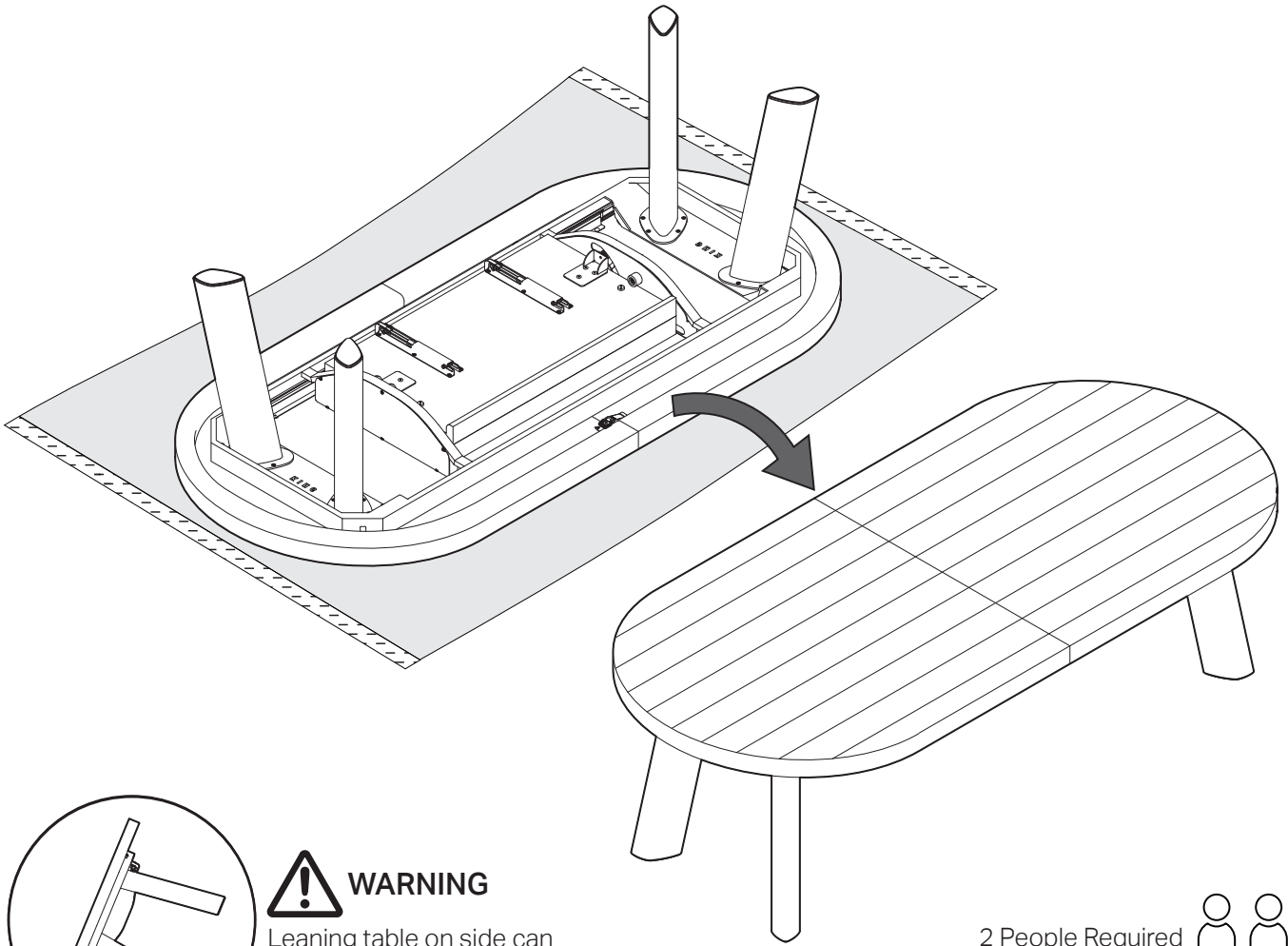
3

Attaching Legs to Frame

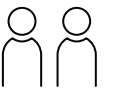


4

Flip Table Over

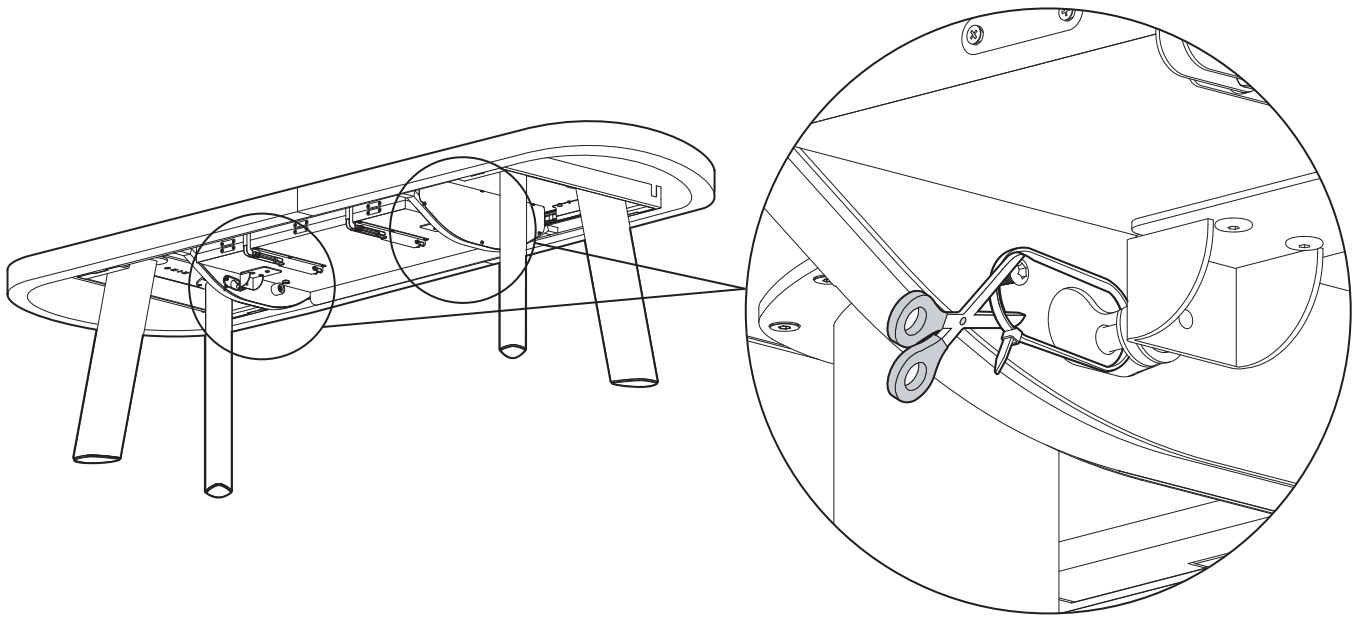


**WARNING**  
Leaning table on side can  
cause damage to legs

2 People Required 

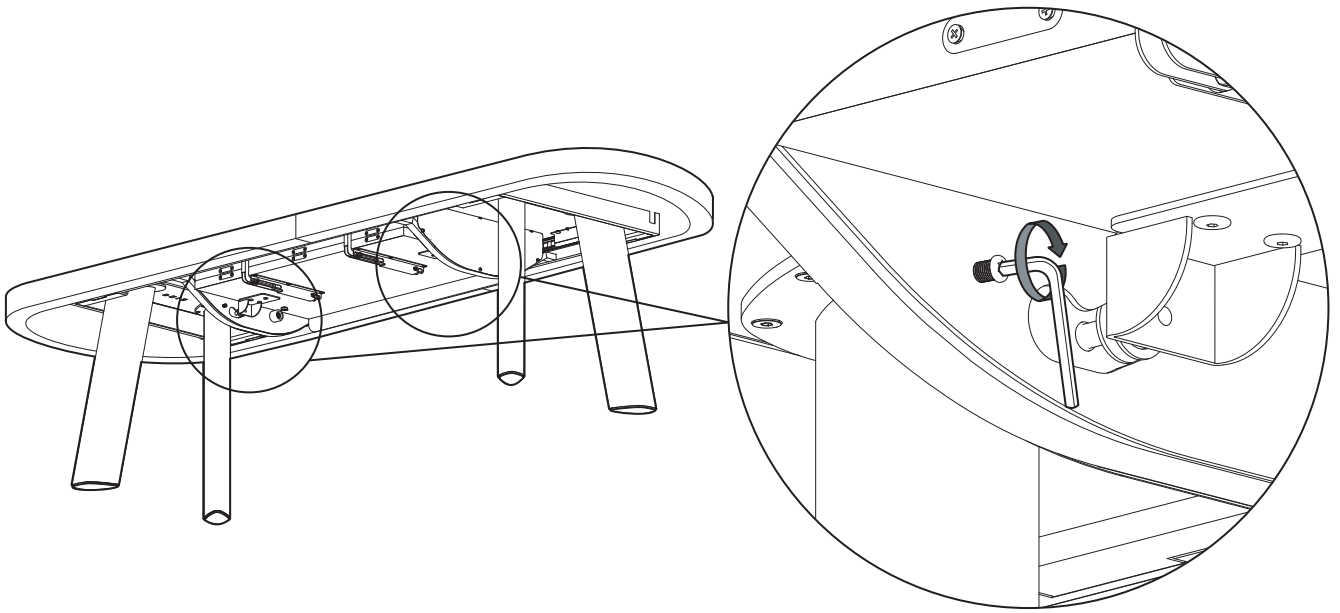
5

Cut Zip Ties



6

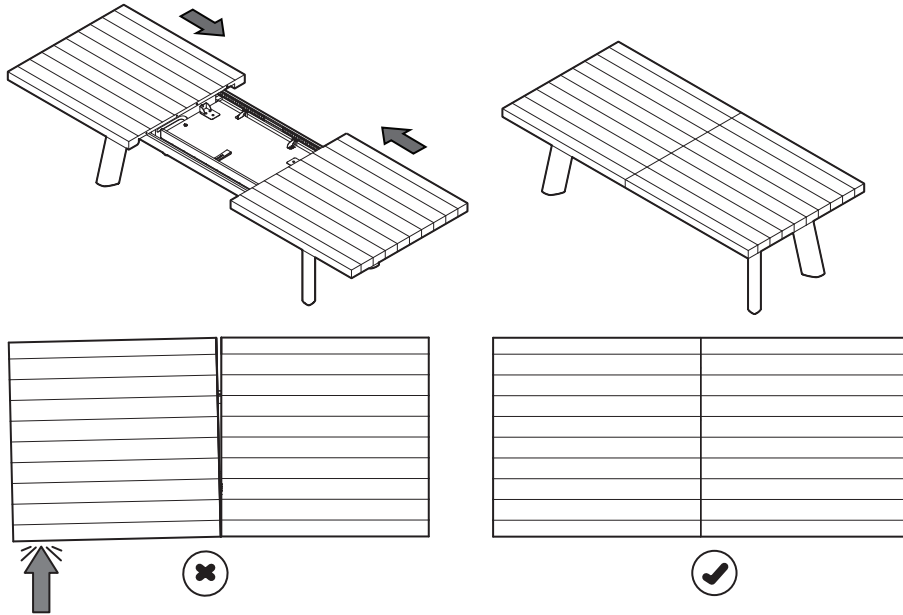
Screw in Bolt



## Aligning Table Top

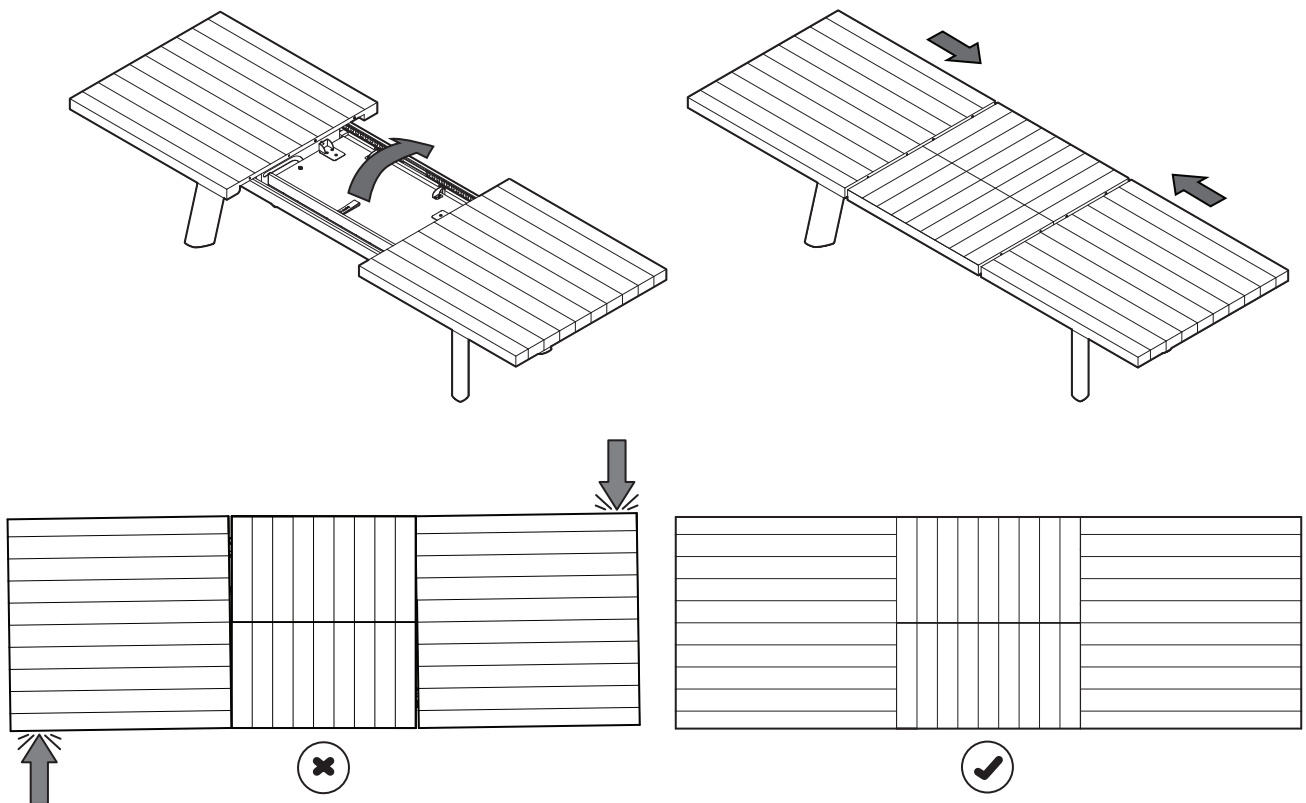
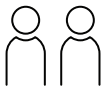
1

How to Correct Table Top Alignment



2

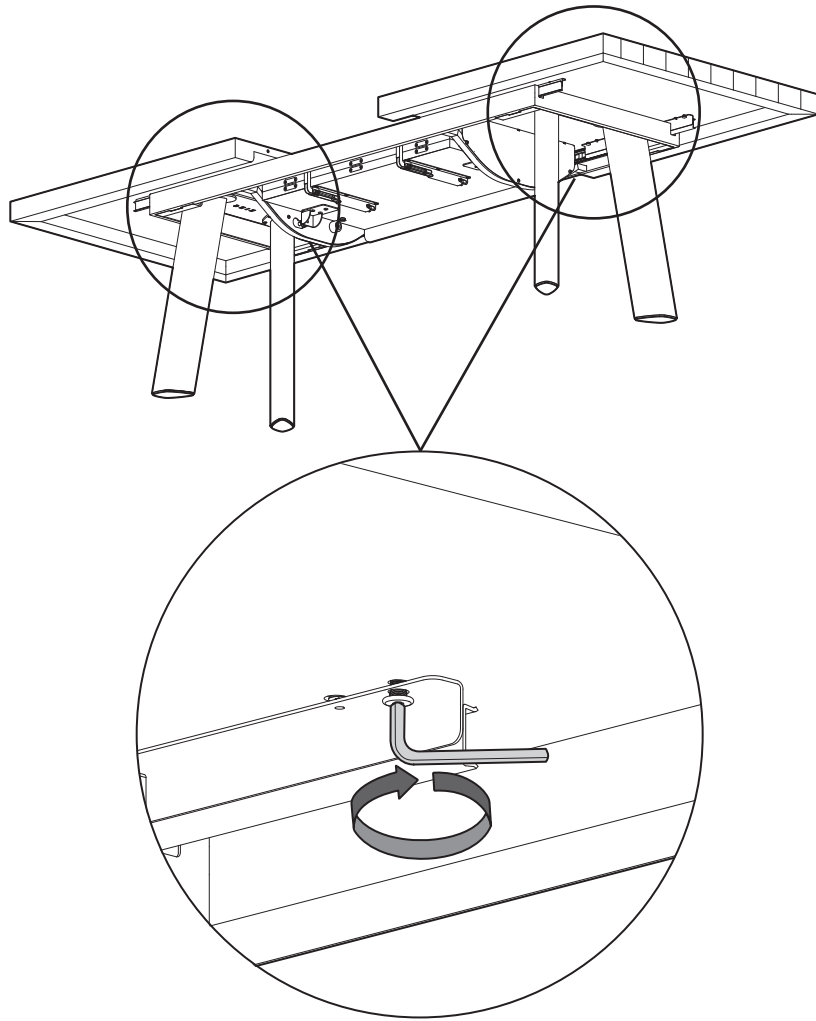
Correcting Extension Foldout Alignment



Completely open table, push ends inward and hold whilst second person tightens bolt completely

3

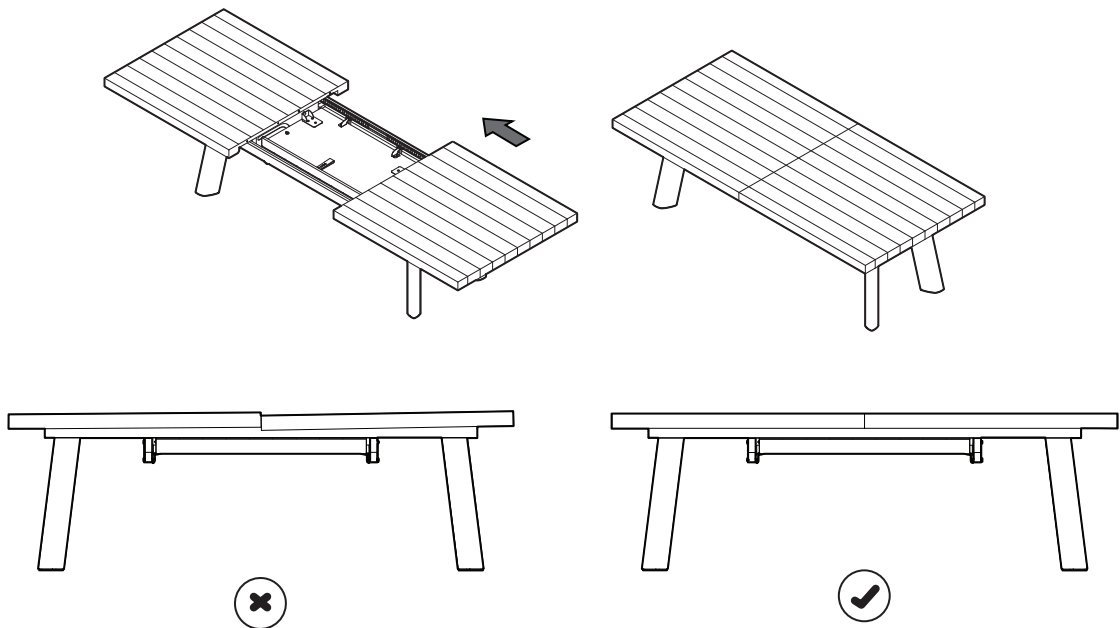
### Securing Table Top Alignment



Note: Tighten bolts firmly

4

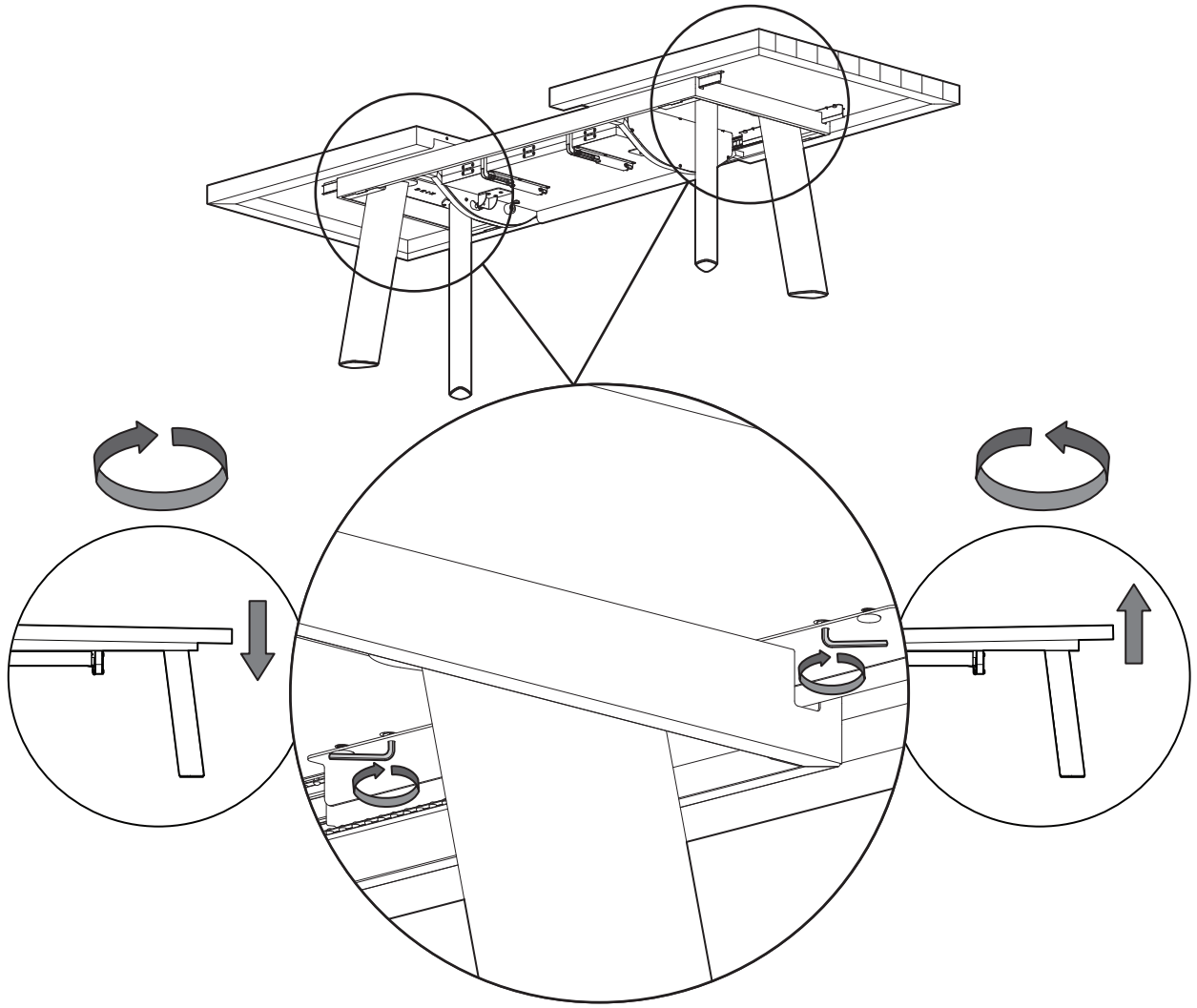
### Correcting Table Top Levels When Closed





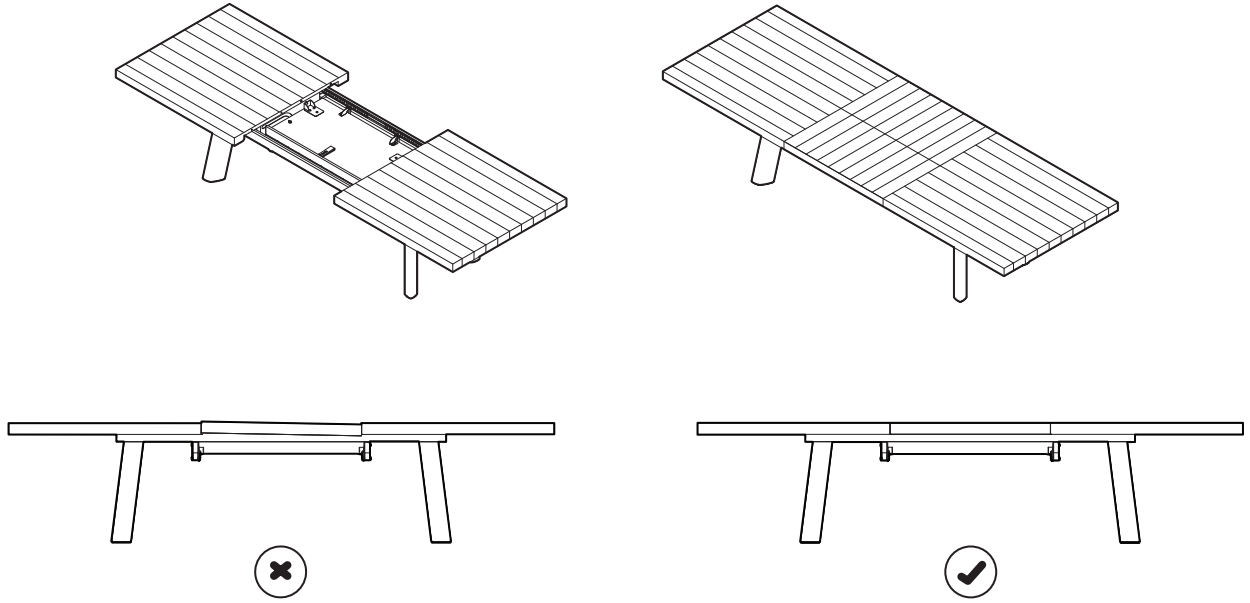
5

### Correcting Table Top Levels When Closed



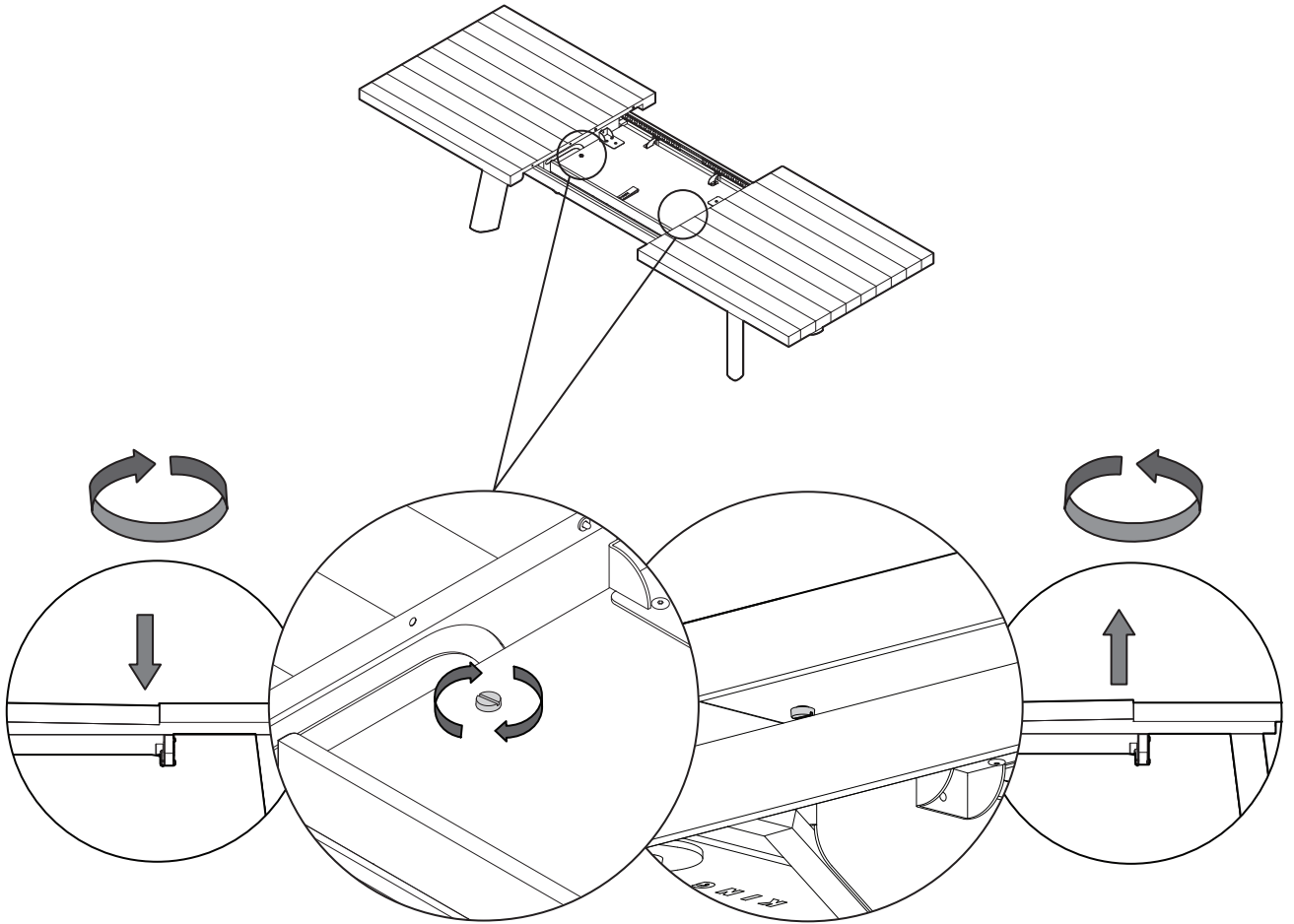
6

### Correcting Table Top Levels When Extended



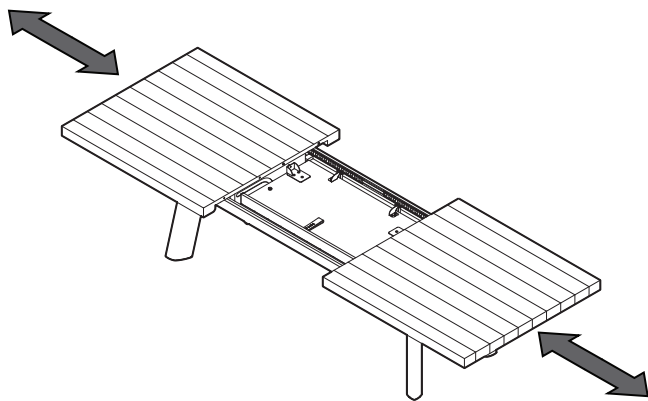
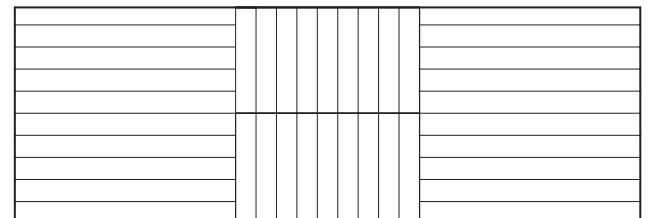
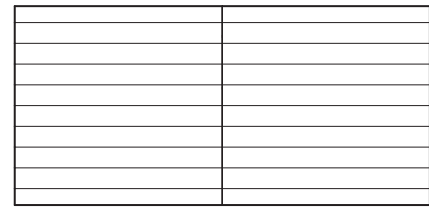
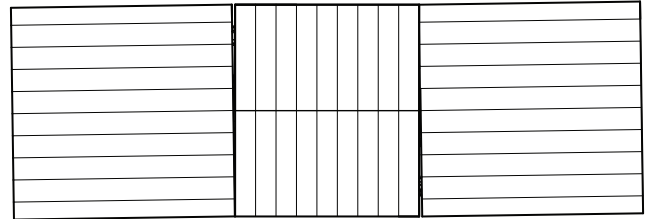
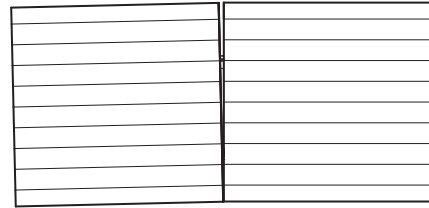
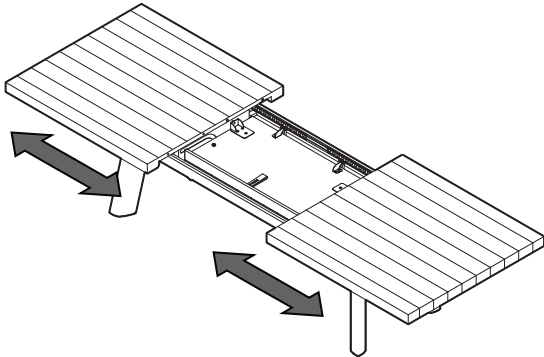
7

### Correcting Table Top Levels When Extended



## Correct Use of Extension Table

### Opening and Closing Extension Table

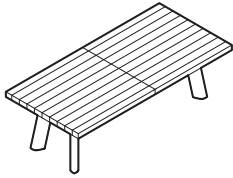


When opening and closing table, always push and pull from middle of table top ends. Pushing and pulling from side of table top ends can cause misalignment and damage to the table.

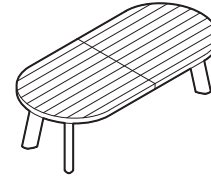
## Heritage Extension Table Troubleshooting | User Guide

### Troubleshooting applicable for:

Heritage Extension Table



Heritage Extension Table Oval

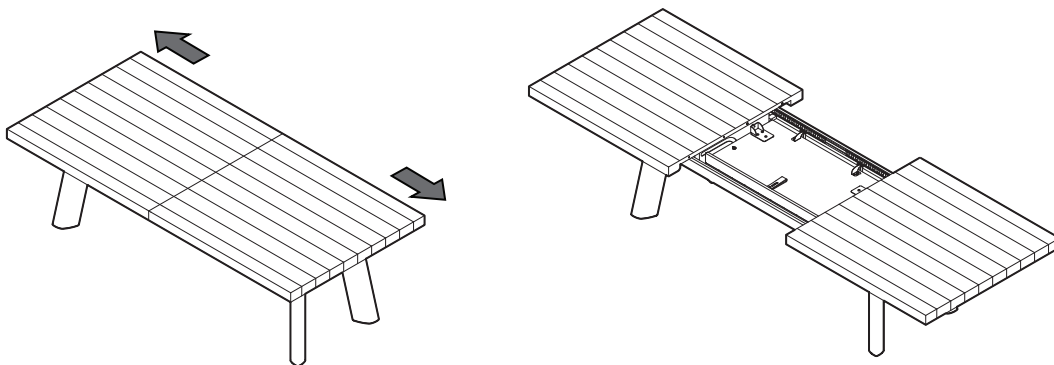


Decide if the table will be used more in the Closed or Extended state. For Closed, see 'Calibrate Table for Closed Use'; for Extended, see 'Calibrate Table for Extended Use.'

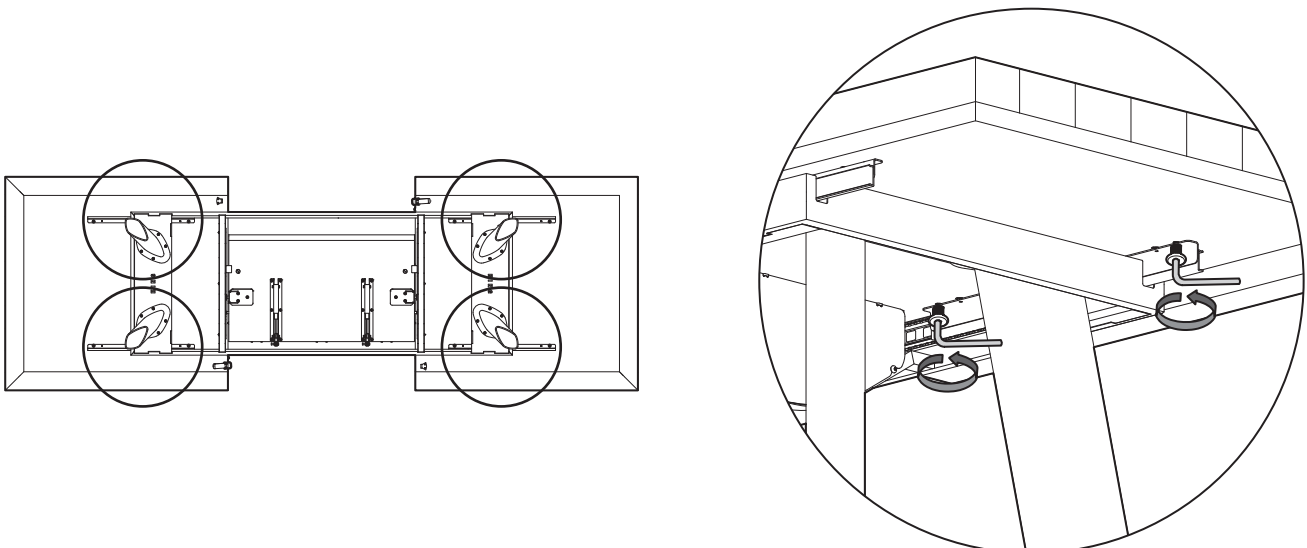
Note: Some deviation up to 3mm is normal due to the table's size, moving parts, and timber. Forcing the table closed without proper alignment may damage the timber around the alignment pins.

## Calibrate Table for Closed Use

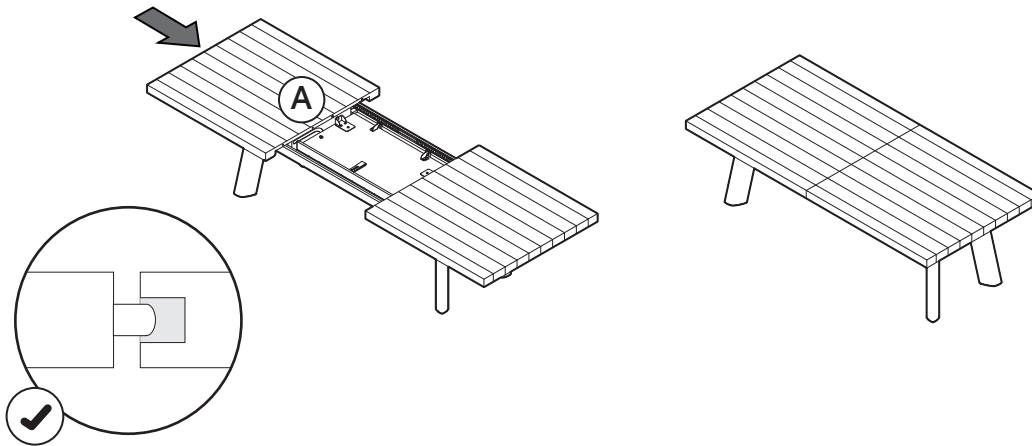
- 1 Open table by pulling table top ends outwards.



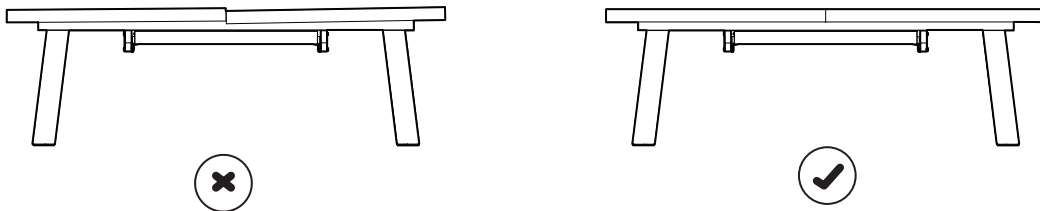
- 2 Loosen, but do not remove, the mounting bolts holding the table tops to the sliding rails. This allows the tops to slide in all directions, giving better access to the leveling bolts for height adjustment on each side.



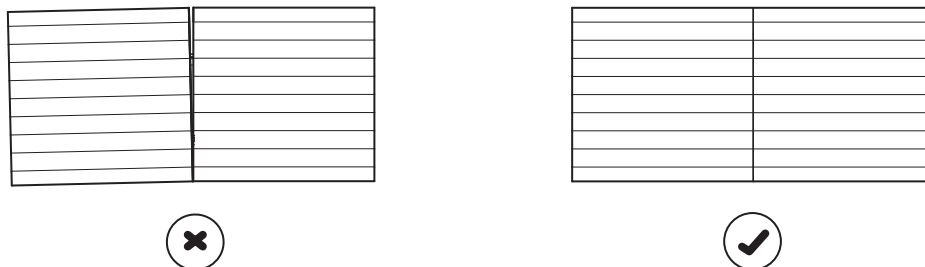
- 3 Slowly close the table by pushing the ends inward from one side. Check that the alignment pins (A) line up before fully closing the table tops.



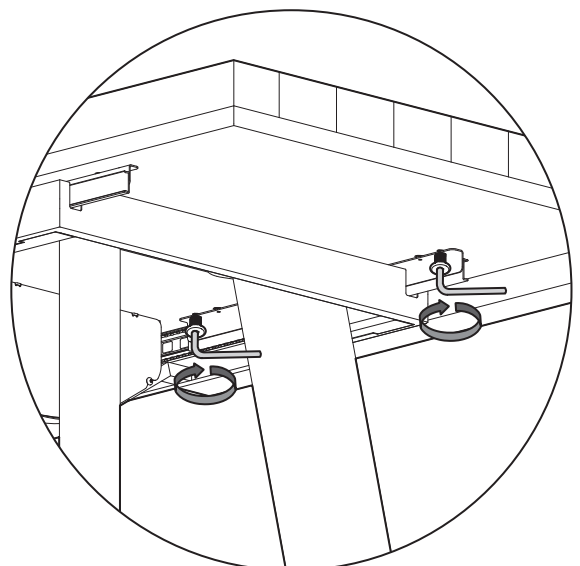
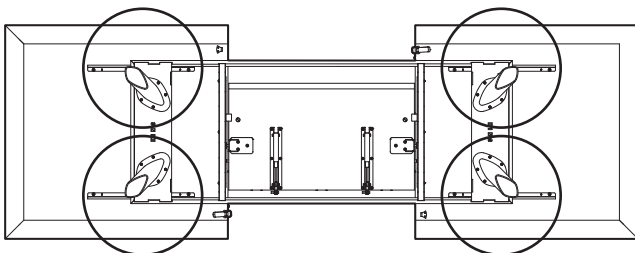
Check the Levels of the table top by making sure the two table top ends are level to each other where they meet in the centre.



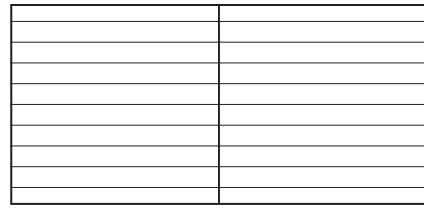
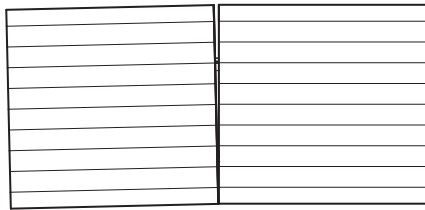
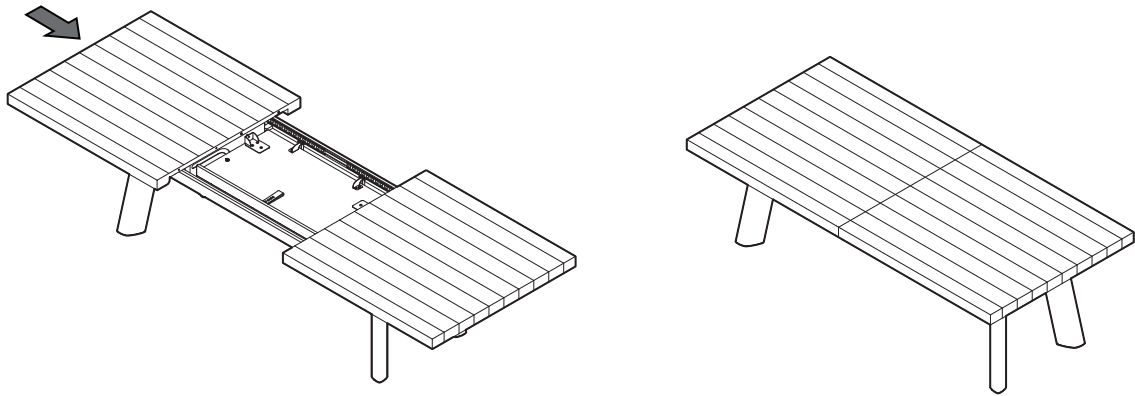
- 4 Check the alignment by making sure sides of table tops meet together creating a straight line with the table tops. Also check for any gaps where the table top ends meet in the centre.



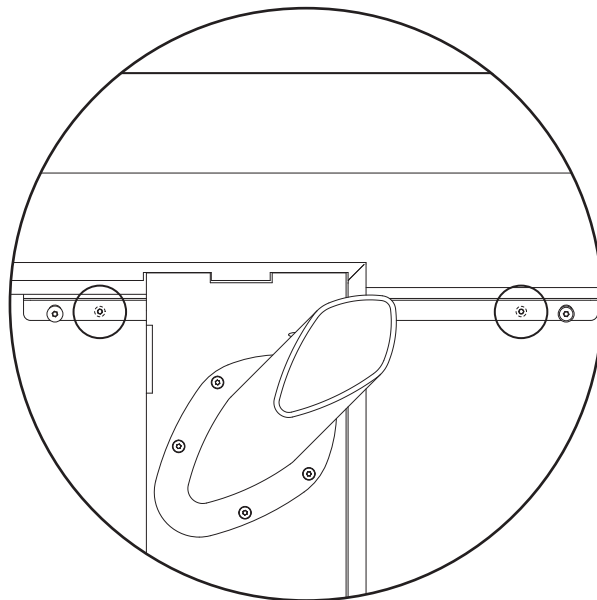
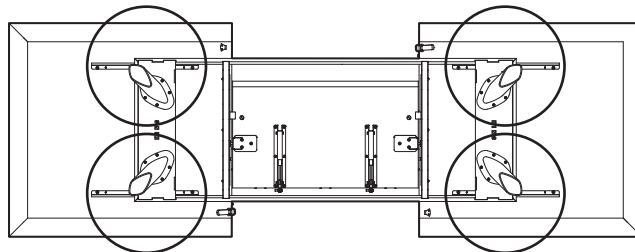
- 5 If alignment and levels are correct, one person pushes the table inward while the other locks the table top using the clamps underneath. Bolts should have factory-applied thread lock glue; if missing or previously adjusted, reapply before tightening. Avoid over tightening to avoid affecting leveling or deforming the sliding rails.  
If Alignment is incorrect, follow steps 6-9.



- 6 Close table by pushing table top ends inwards from one end, making sure to close any gaps where the table top ends meet in the centre, and creating a straight line with the sides of the table tops. Once aligned, have one person hold table top ends closed and in position with light force.

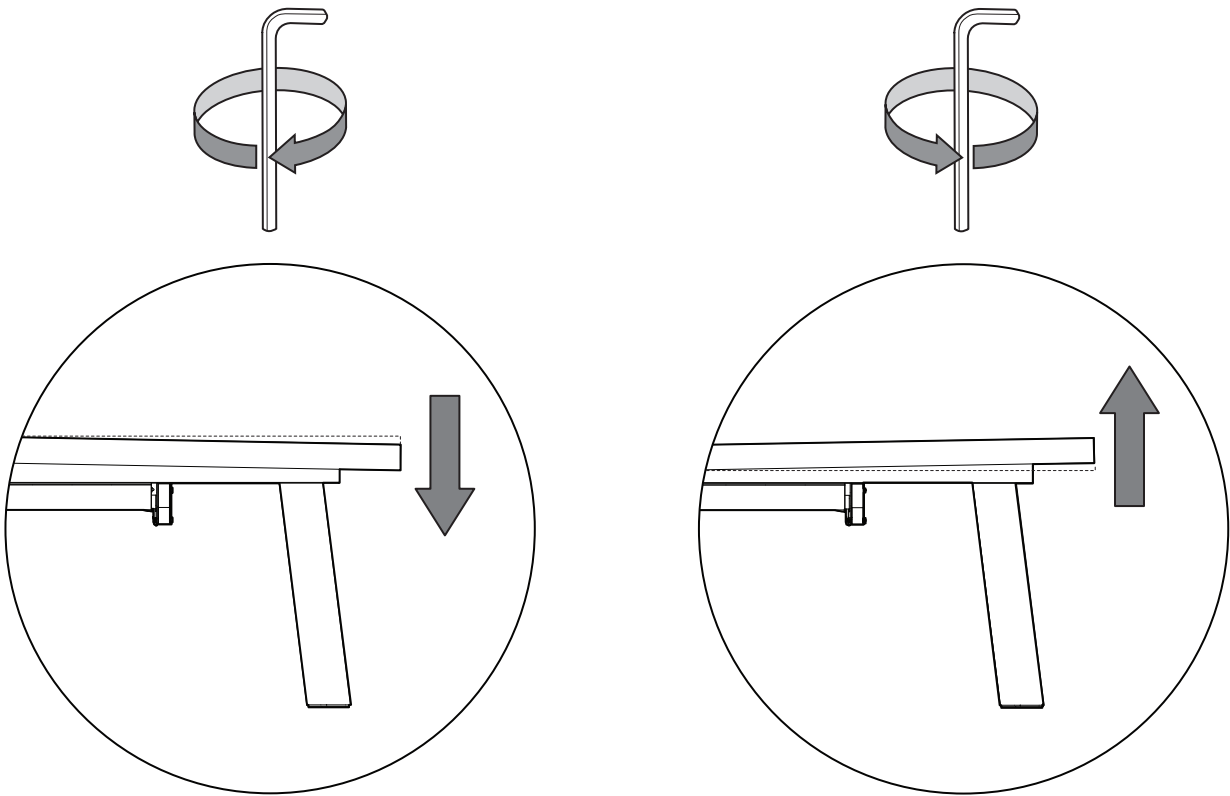


- 7 With table tops being held in place, have the second person locate the leveling screws on the underside of the table tops. Access to leveling bolts may require sliding table tops back and forth when mounting bolts are loose.



8

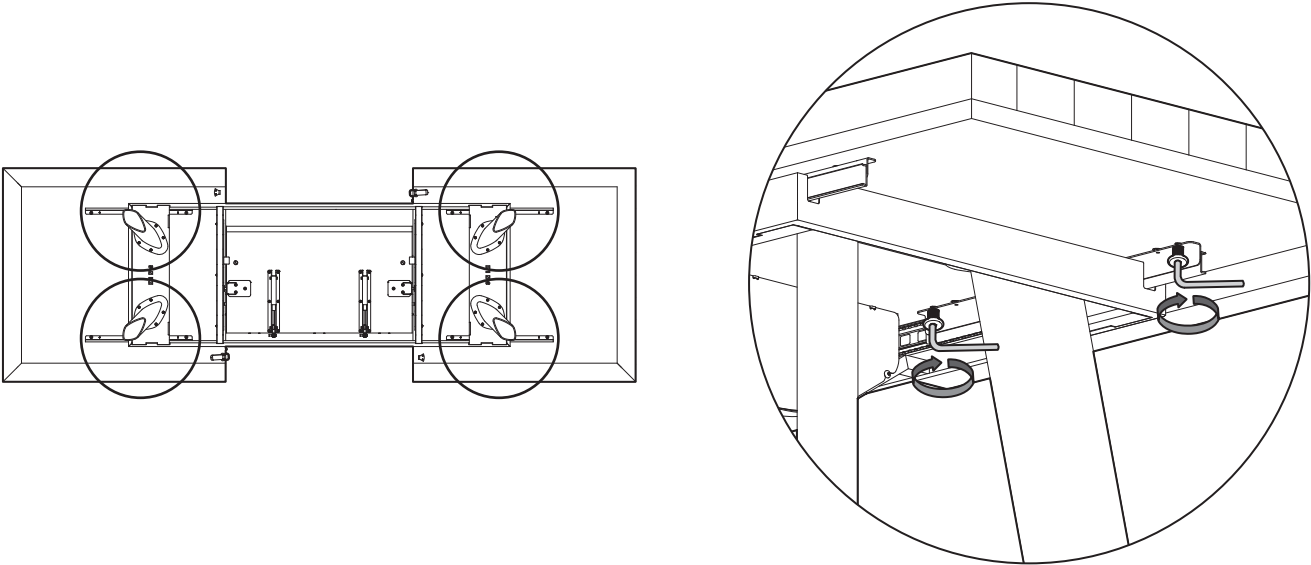
Locate the leveling screws and turn each one half a turn at a time. Turn anti-clockwise to raise the table and clockwise to lower it. Repeat until both table tops are level at the center. Having a second person assist with feedback during adjustments is recommended.



9

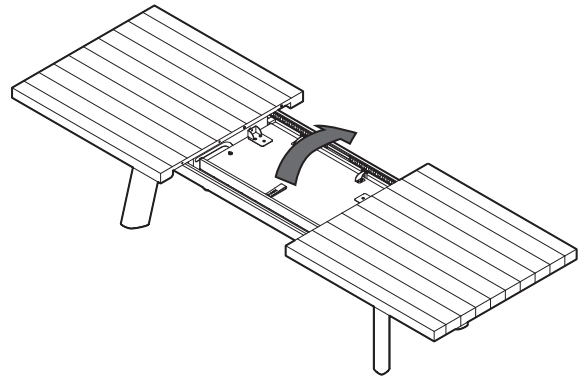
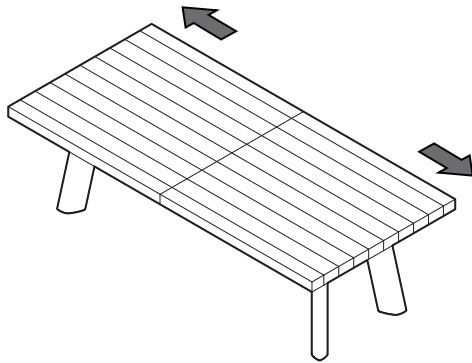
Once Alignment and Levels are correct, one person pushes the table inward while the other locks the table top using the clamps underneath. Bolts should have factory-applied thread lock glue; if missing or previously adjusted, reapply before tightening. Avoid overtightening to avoid affecting leveling or deforming the sliding rails.

If level still not correct repeat steps 6-9 making minor adjustments with care.

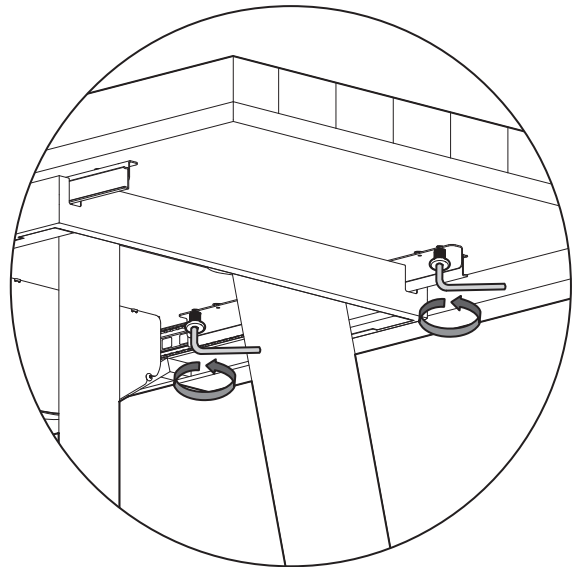
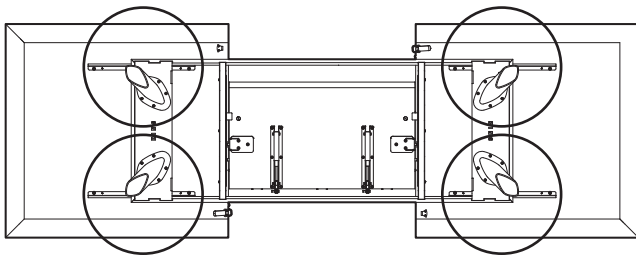


## Calibrate Table for Extended Use

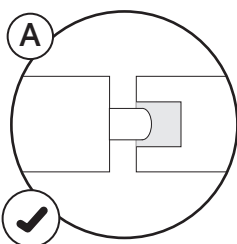
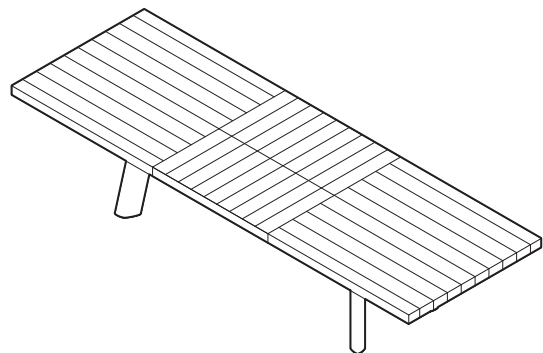
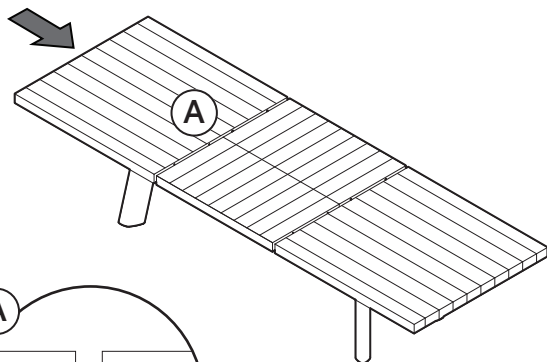
- 1 Open and extend table by pulling table top ends outwards and unfolding extension leaf.



- 2 Loosen, but do not remove, the mounting bolts holding the table tops to the sliding rails. This allows the tops to slide in all directions, giving better access to the leveling bolts for height adjustment on each side.

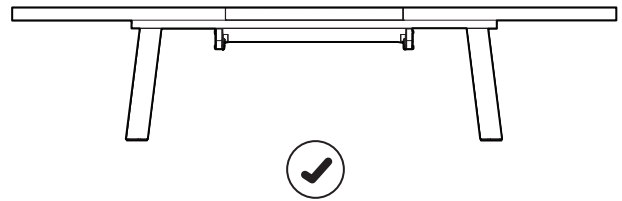
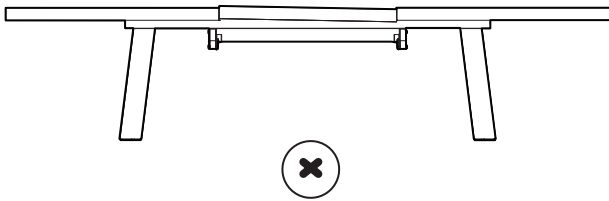


- 3 Slowly close the table by pushing the ends inward from one side. Check that the alignment pins (A) line up before fully closing the table tops.

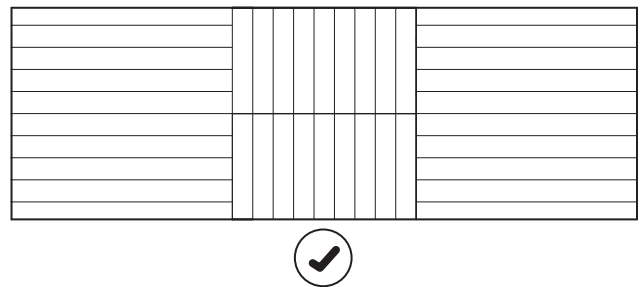
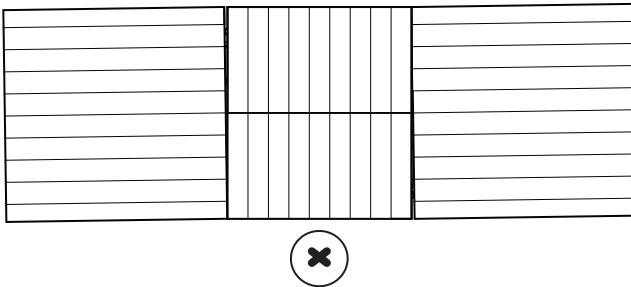




Check the Levels of the table top by making sure the two table top ends are level to where they meet the extensions leaf in the centre.

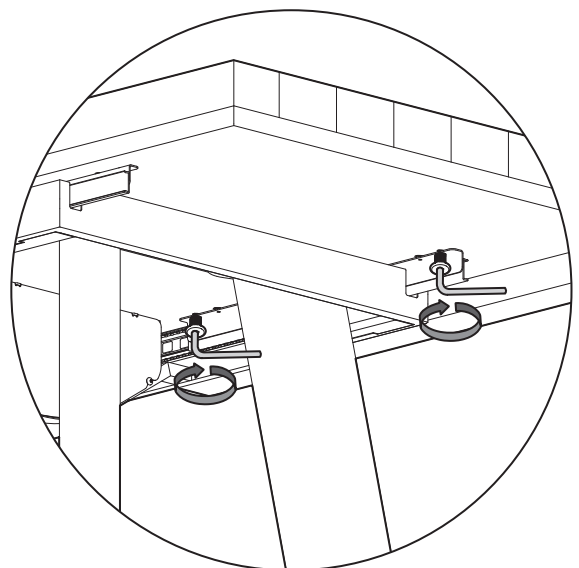
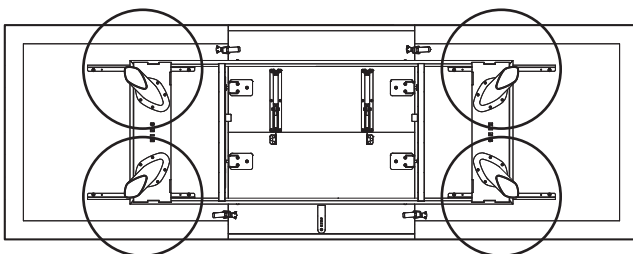


- 4 Check the alignment by making sure sides of table tops meet together with the extension leaf creating a straight line. Also check for any gaps where the table top ends meet the extension foldout.

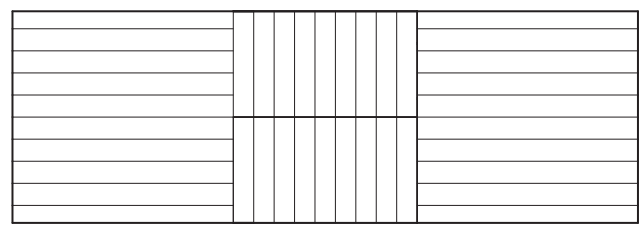
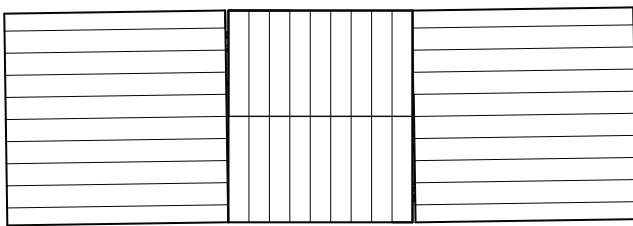
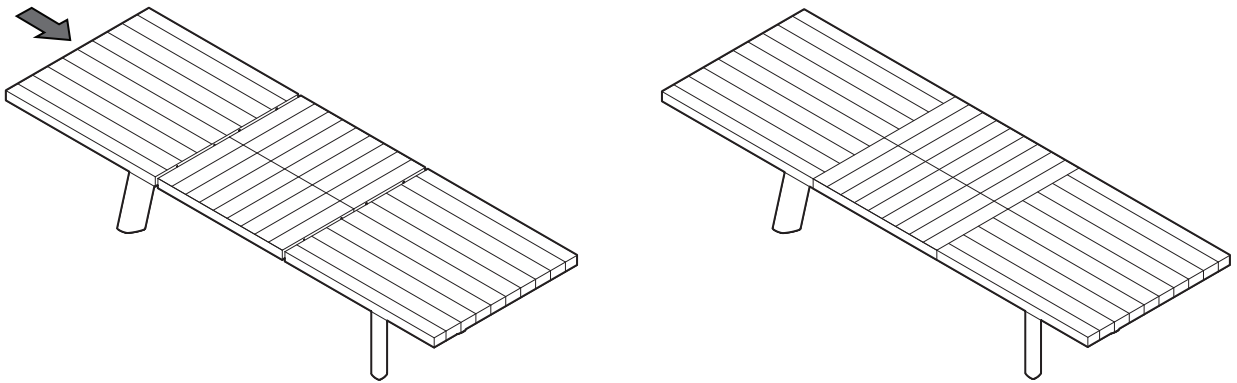


- 5 If alignment and levels are correct, one person pushes the table inward while the other locks the table top using the clamps underneath. Bolts should have factory-applied thread lock glue; if missing or previously adjusted, reapply before tightening. Avoid overtightening to avoid affecting leveling or deforming the sliding rails.

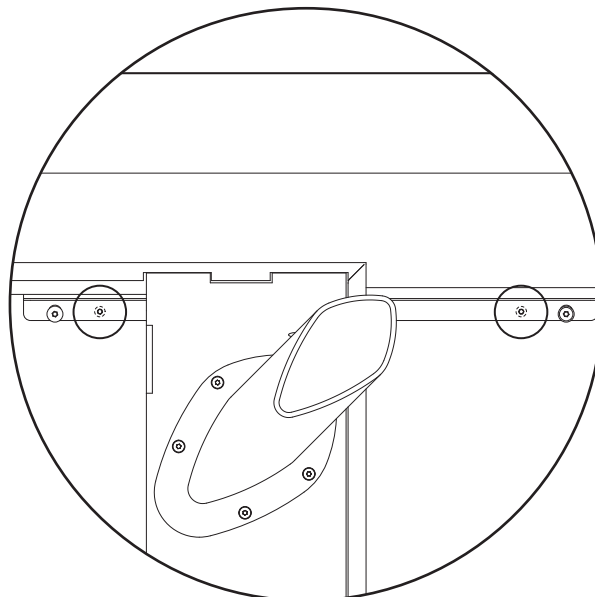
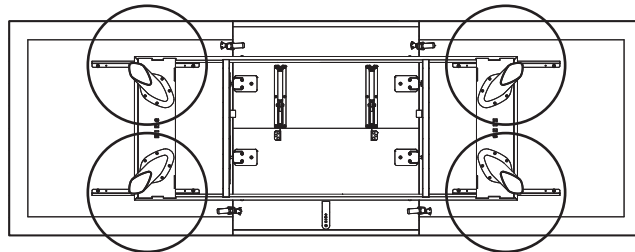
If Alignment and Levels are incorrect, follow steps 6 - 10.



- 6 Push table top ends inwards from one end, making sure to close any gaps where the table top ends meet in the extension leaf, and creating a straight line with the sides of the table tops. Once aligned, have one person hold table top ends closed and in position with light force.

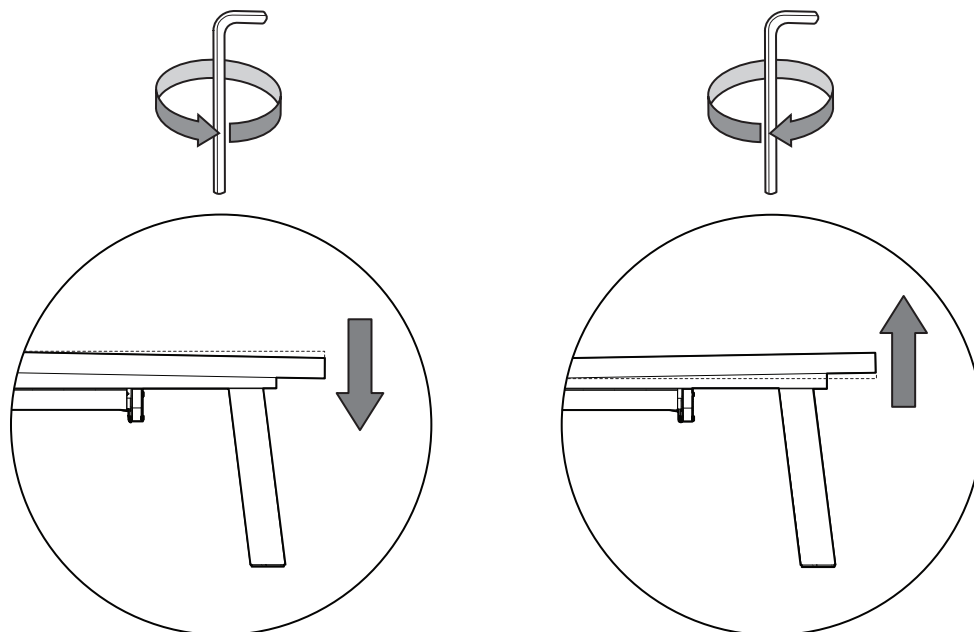


- 7 With table tops being held in place, have the second person locate the leveling screws on the underside of the table tops. Access to leveling bolts may require sliding table tops back and forth when mounting bolts are loose.



8

Locate the leveling screws and turn each one half a turn at a time. Turn anti-clockwise to raise the table and clockwise to lower it. Repeat until both table tops are level at the center. Having a second person assist with feedback during adjustments is recommended.

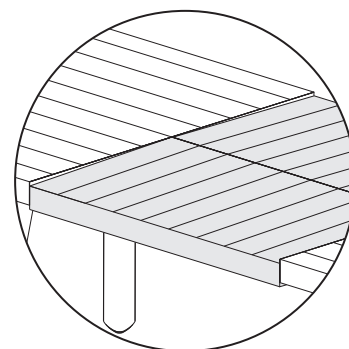


9

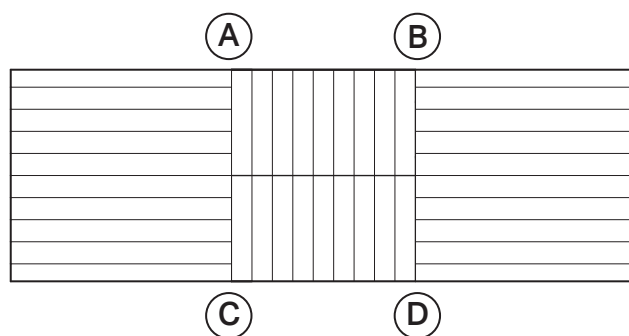
Check Alignment and Levels after adjustments have been made. If any of the following issues are present, follow the appropriate steps to solve the issue.

**Edges of extension leaf are higher or lower than the table top ends**

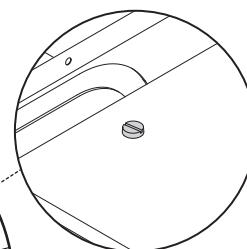
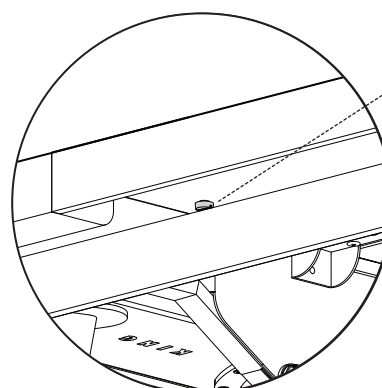
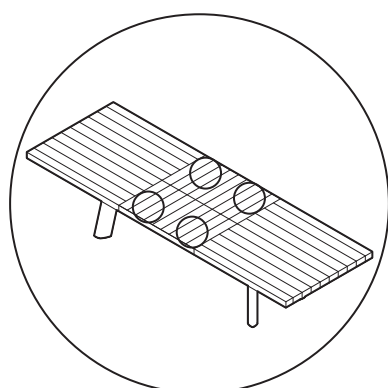
1. Check A, B, C & D for any height differences between the extension leaf and table tops.
2. If there is a height difference, locate the adjustment feet on the underside of the extension leaf.
3. Rotate the adjustment feet 1/2 turn each until the extension leaf is level with the table top ends. To raise extension leaf, rotate clockwise. To lower extension leaf, rotate anti-clockwise.



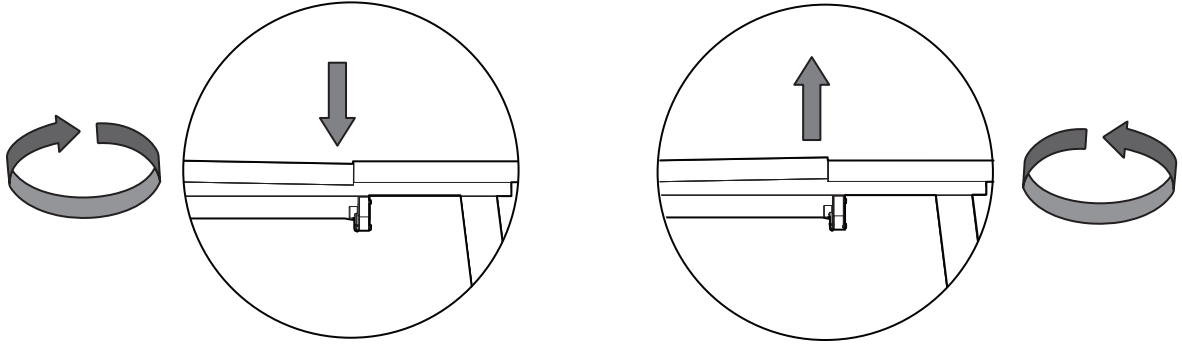
1



2

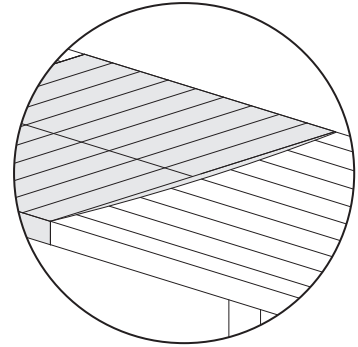


3

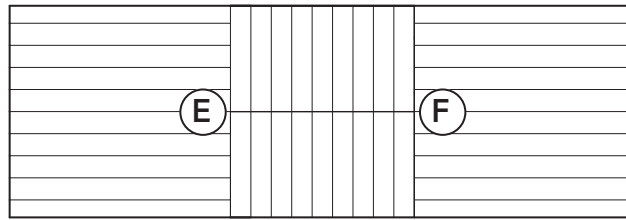


**Middle of extension leaf is higher or lower than the table top ends**

1. Check E & F for any height differences between the extension leaf and table tops.
2. If extension leaf in positions E and F is higher than the table top ends after the extension leaf has been calibrated and is flat, the two table top ends need to be raised. If the two table top ends are higher than the extension leaf in position E and F, the table top ends need to be lowered.
3. Check levels after adjustments are made and continue to make adjustments until the middle of the Extension Foldout is level with the table top end.



1



10

Once Alignment and Levels are correct, one person pushes the table inward while the other locks the table top using the clamps underneath. Bolts should have factory-applied thread lock glue; if missing or previously adjusted, reapply before tightening. Avoid over tightening to avoid affecting leveling or deforming the sliding rails.

If level still not correct repeat steps 6-10 making minor adjustments with care.

