

Haven

Assembly | User Guide



Product Care

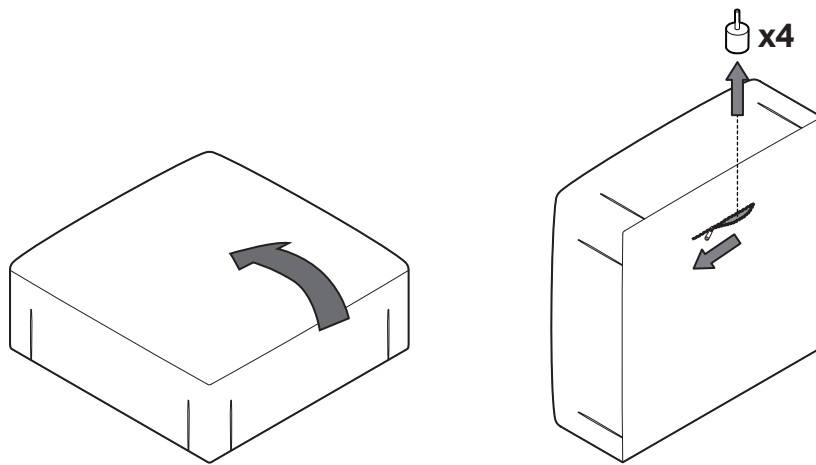
Two people required for safe assembly

Opening Boxes: DO NOT use a knife to open the packaging as you may damage your furniture. Peel-off the tape, then lift and separate the cardboard flaps to open.

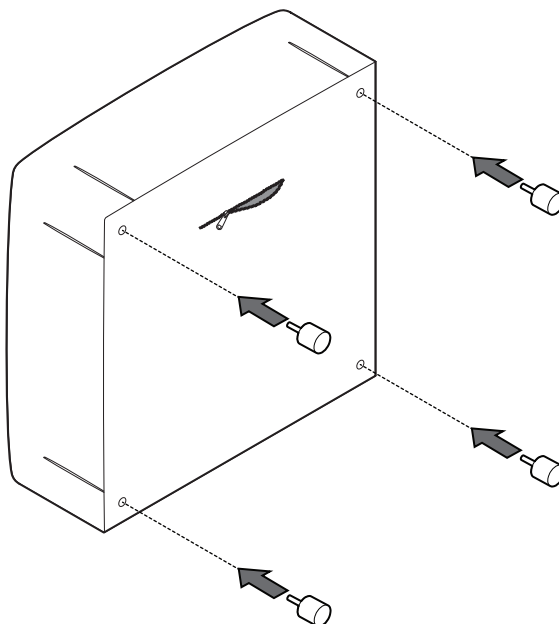
Please follow these Assembly | User Guide Instructions

1

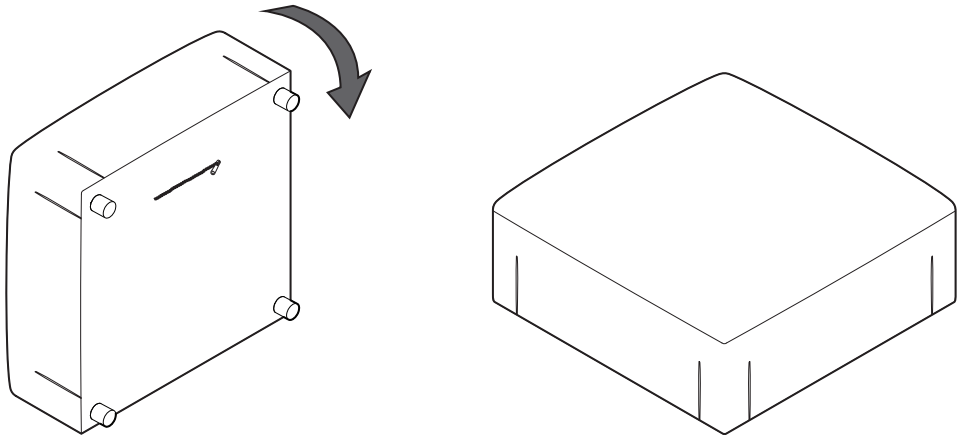
1STR & 2STR Foot Installation



2

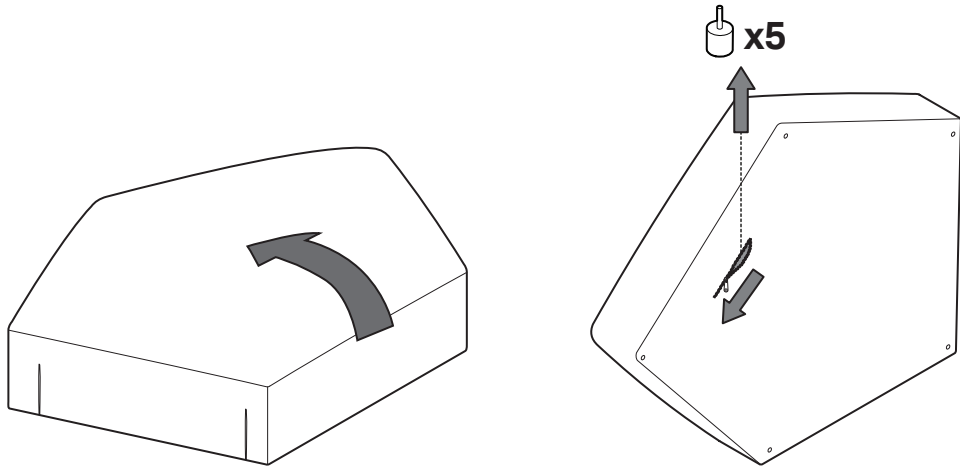


3

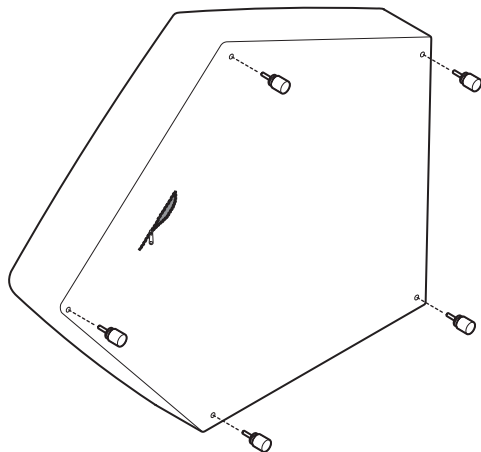


4

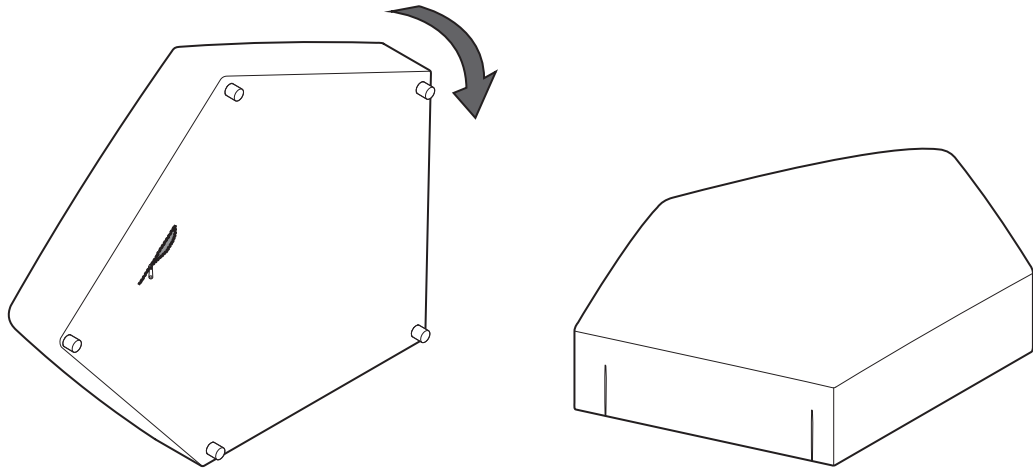
Keystone Foot Installation



5

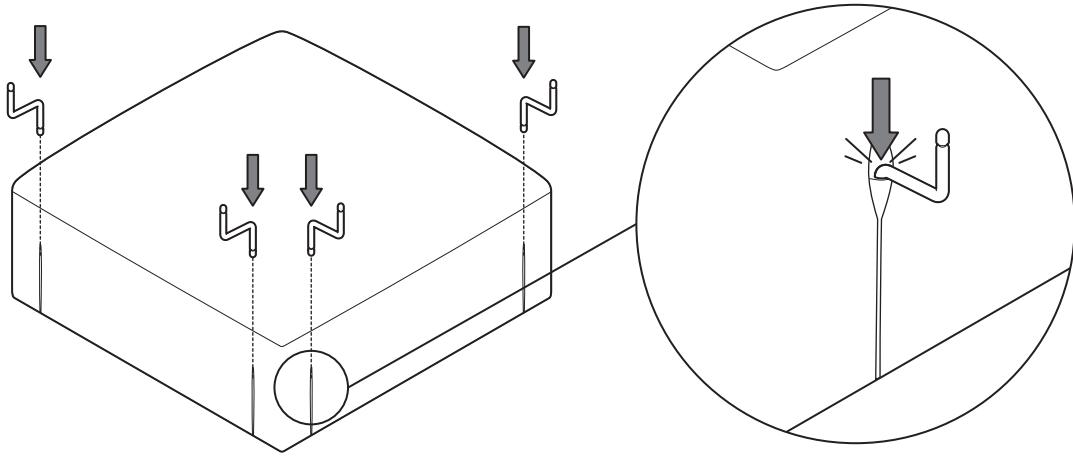


6

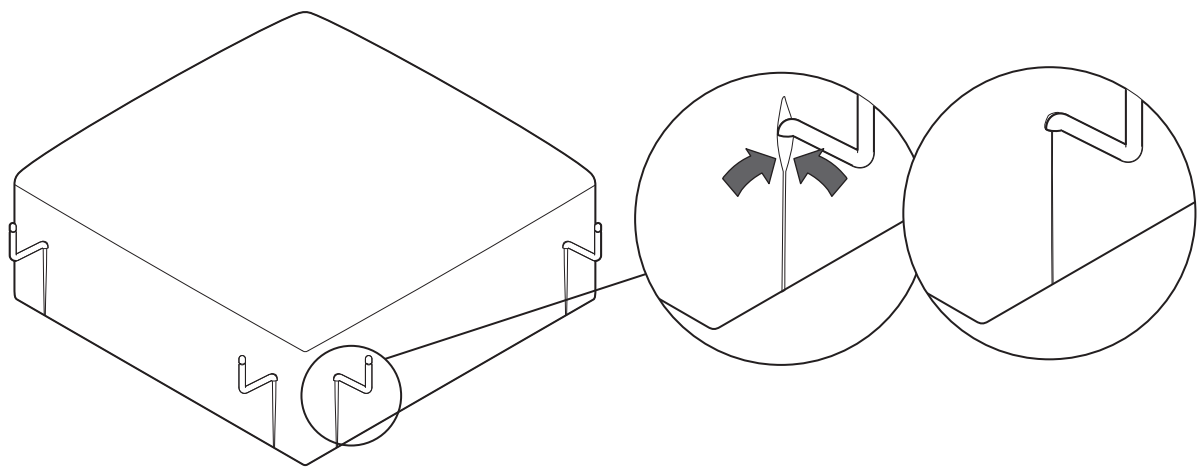


7

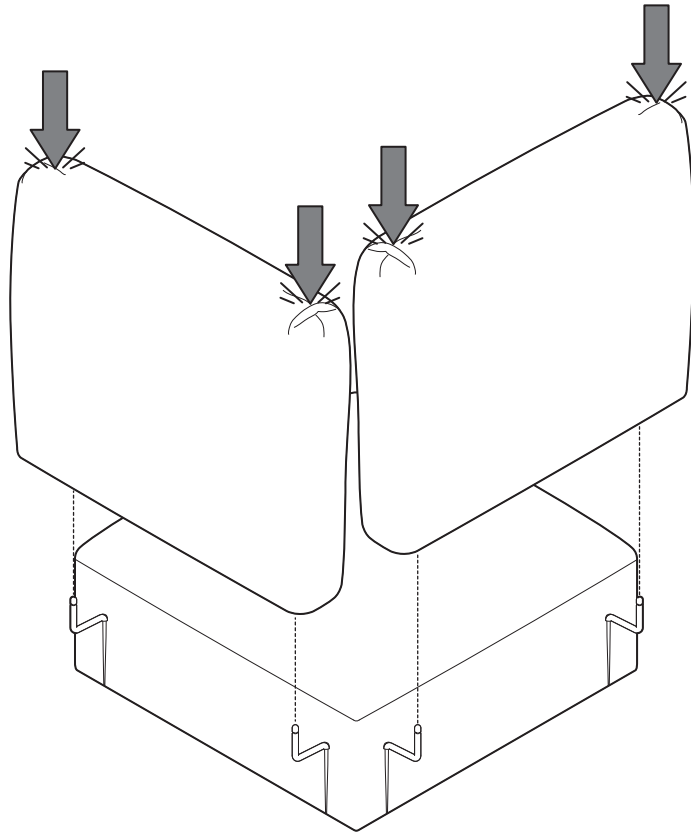
Haven Back Installation



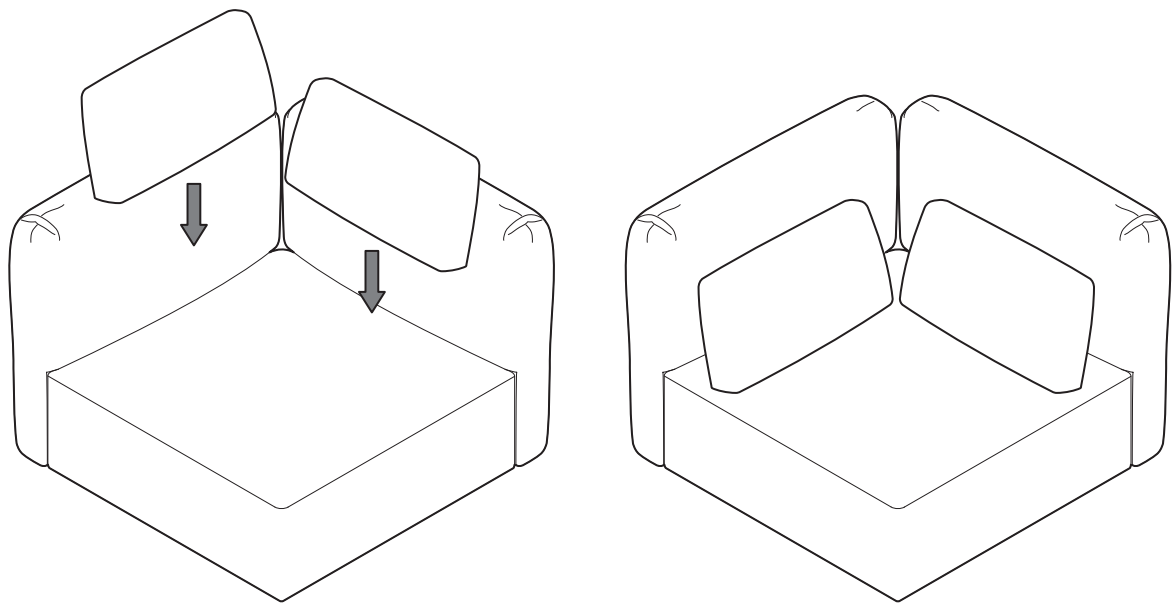
8



9

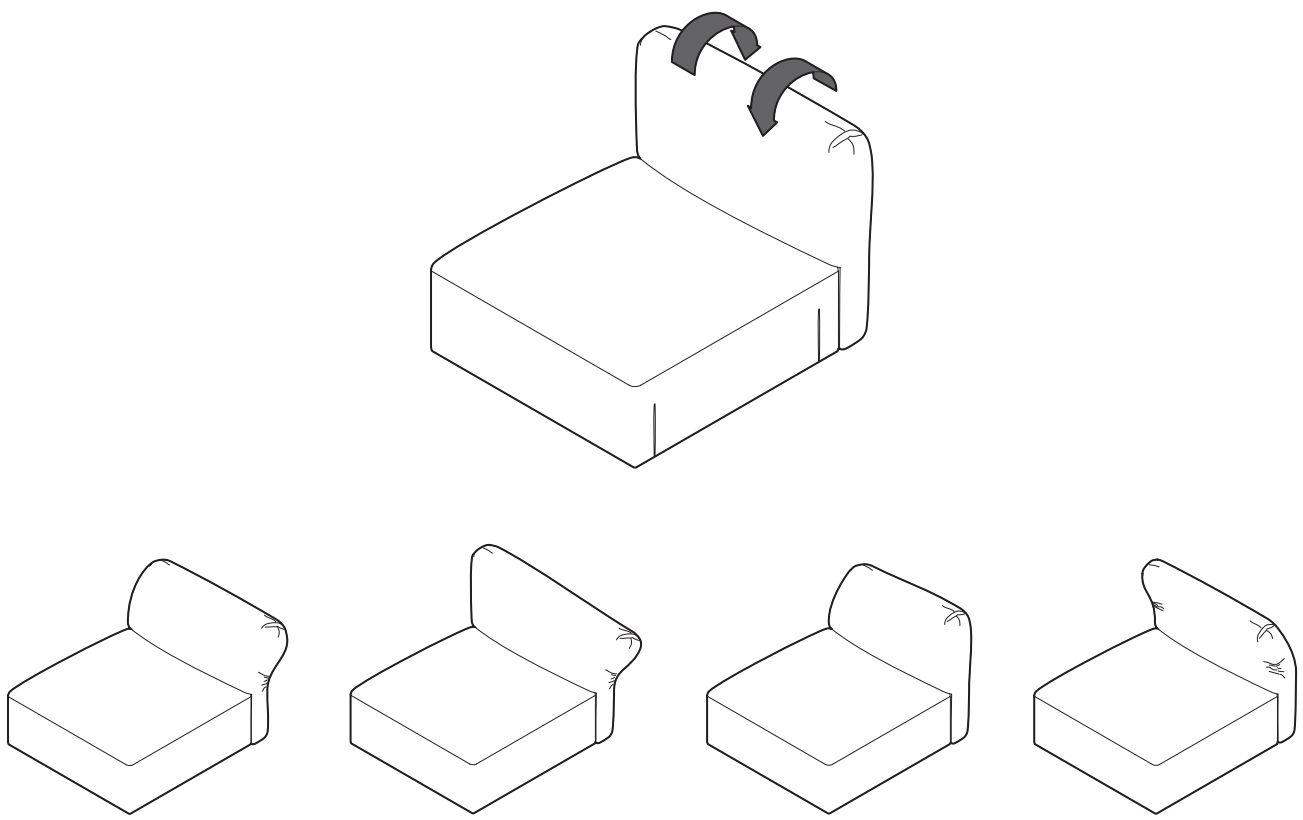


10



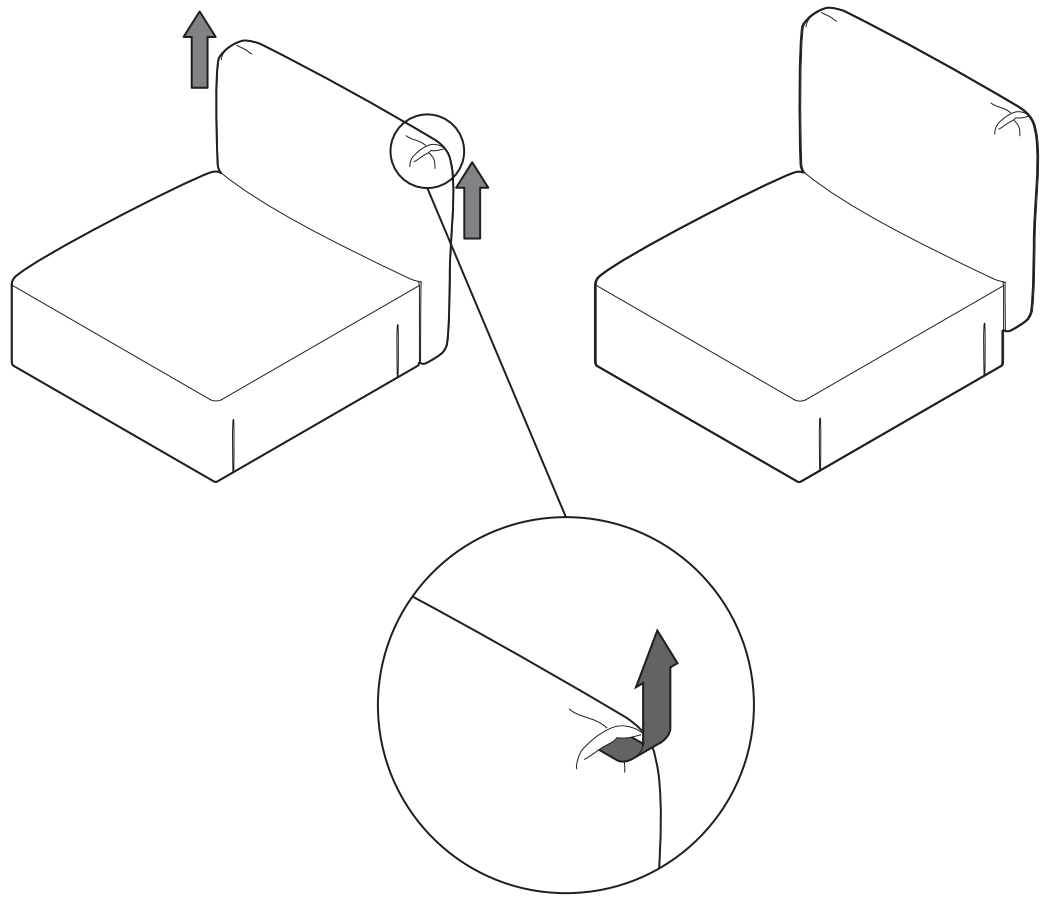
11

Adjusting Haven Back Angle



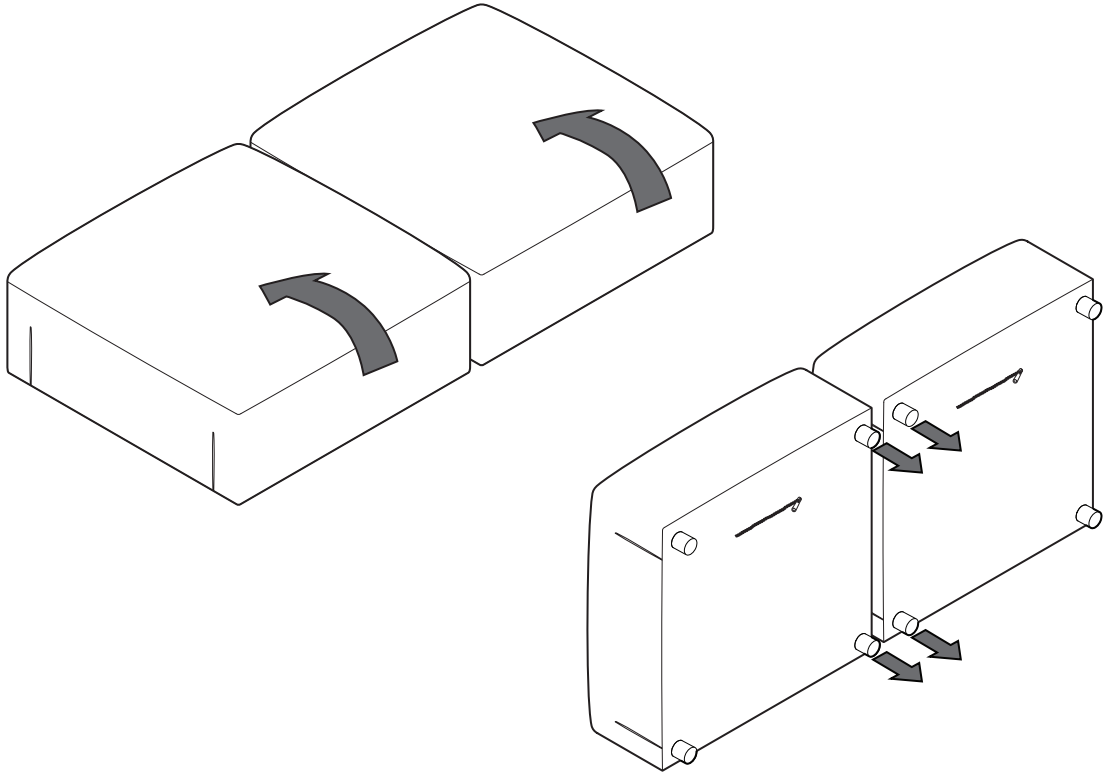
12

Adjusting Haven Back Height

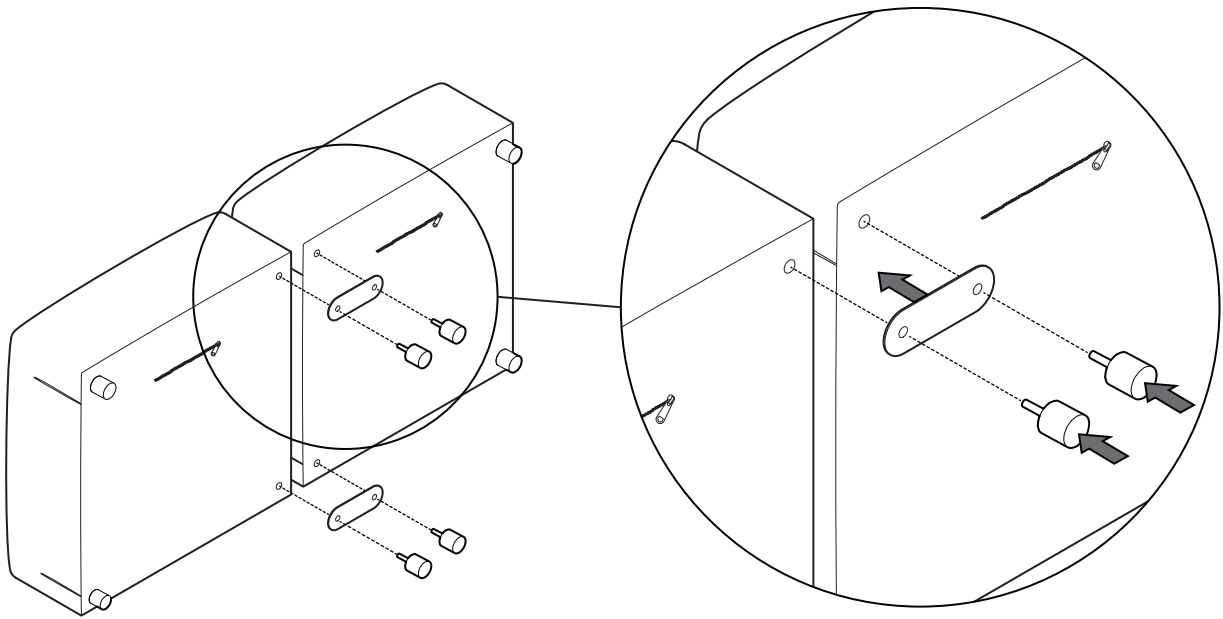


13

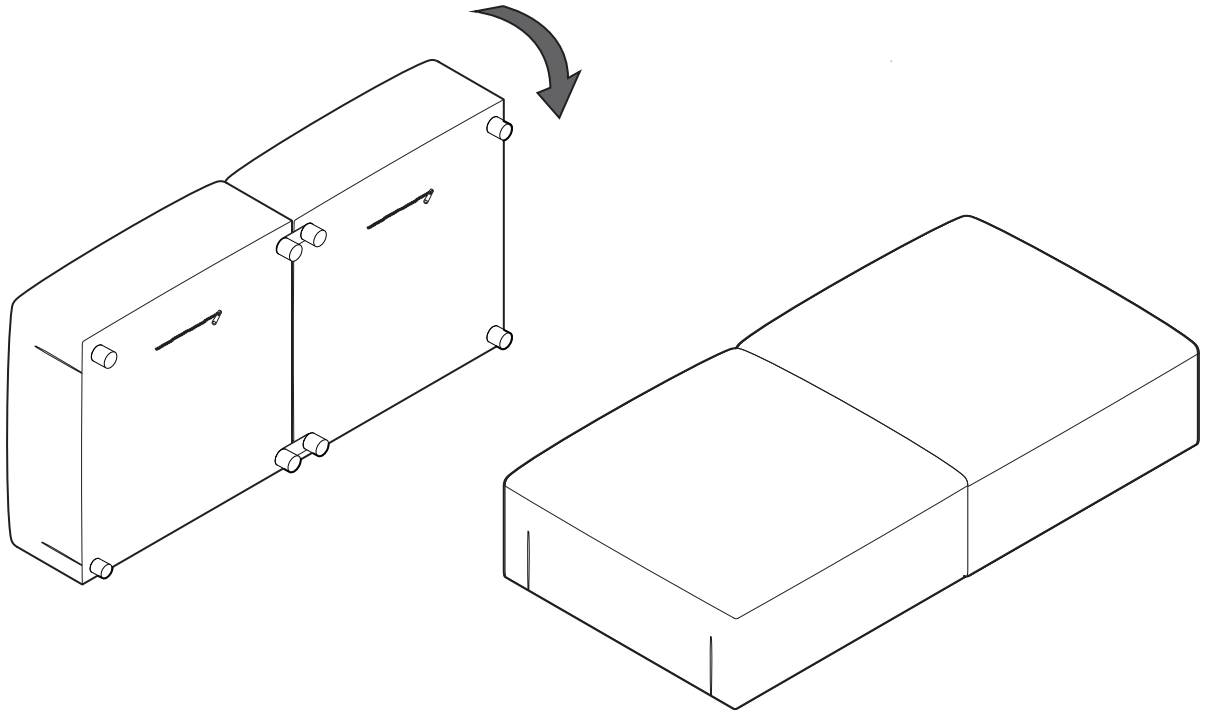
Universal Joiner Installation



14



15



16

