

# Jasper Coast Timber Shelf

## Assembly | User Guide

Two people are required for safe assembly

### Opening Boxes:

DO NOT use a knife to open the packaging as you may damage your furniture.

Peel off the tape, then lift & separate the cardboard flaps to open.

Assemble your furniture by following the instructions below.

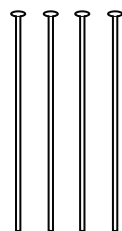
## Base Timber Shelf Assembly

1

||||| x8

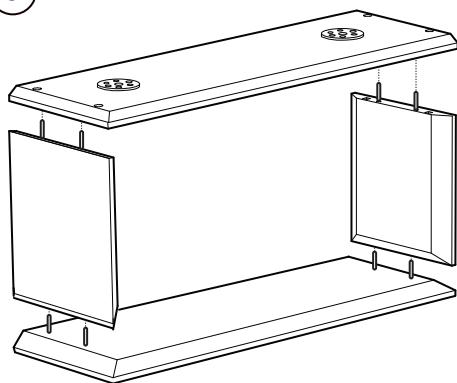


x2

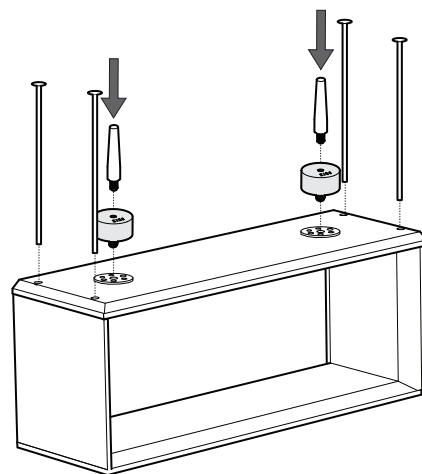


x4

a



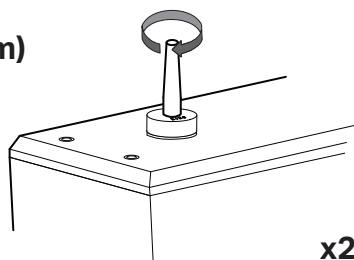
b



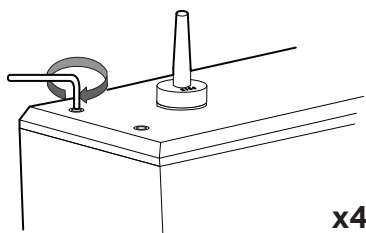
2



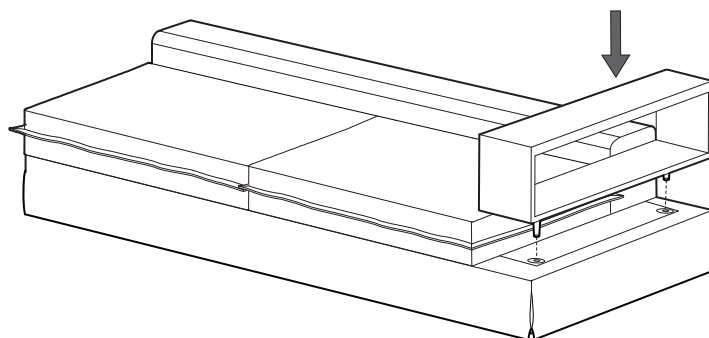
x1 (5mm)



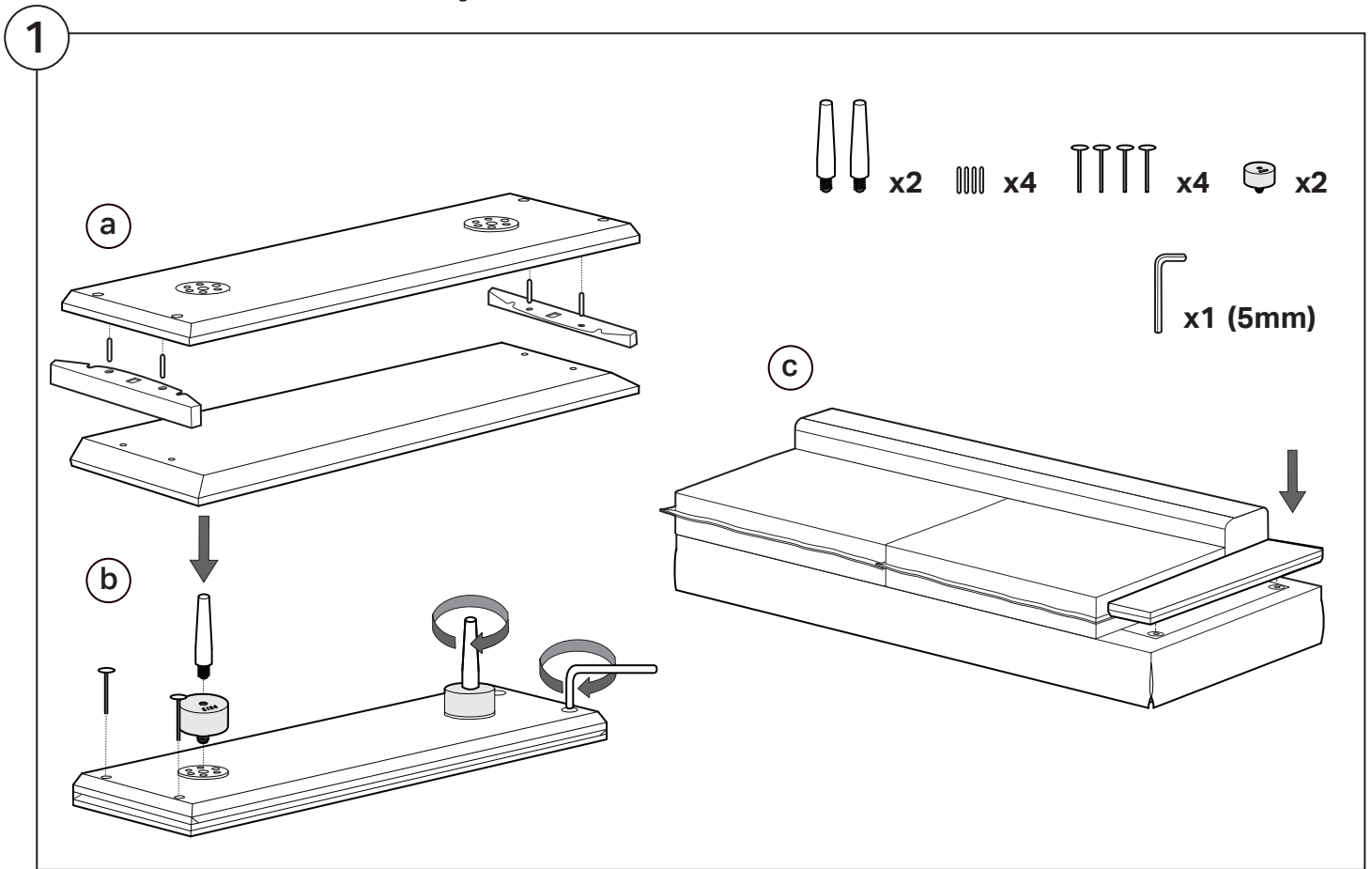
x2



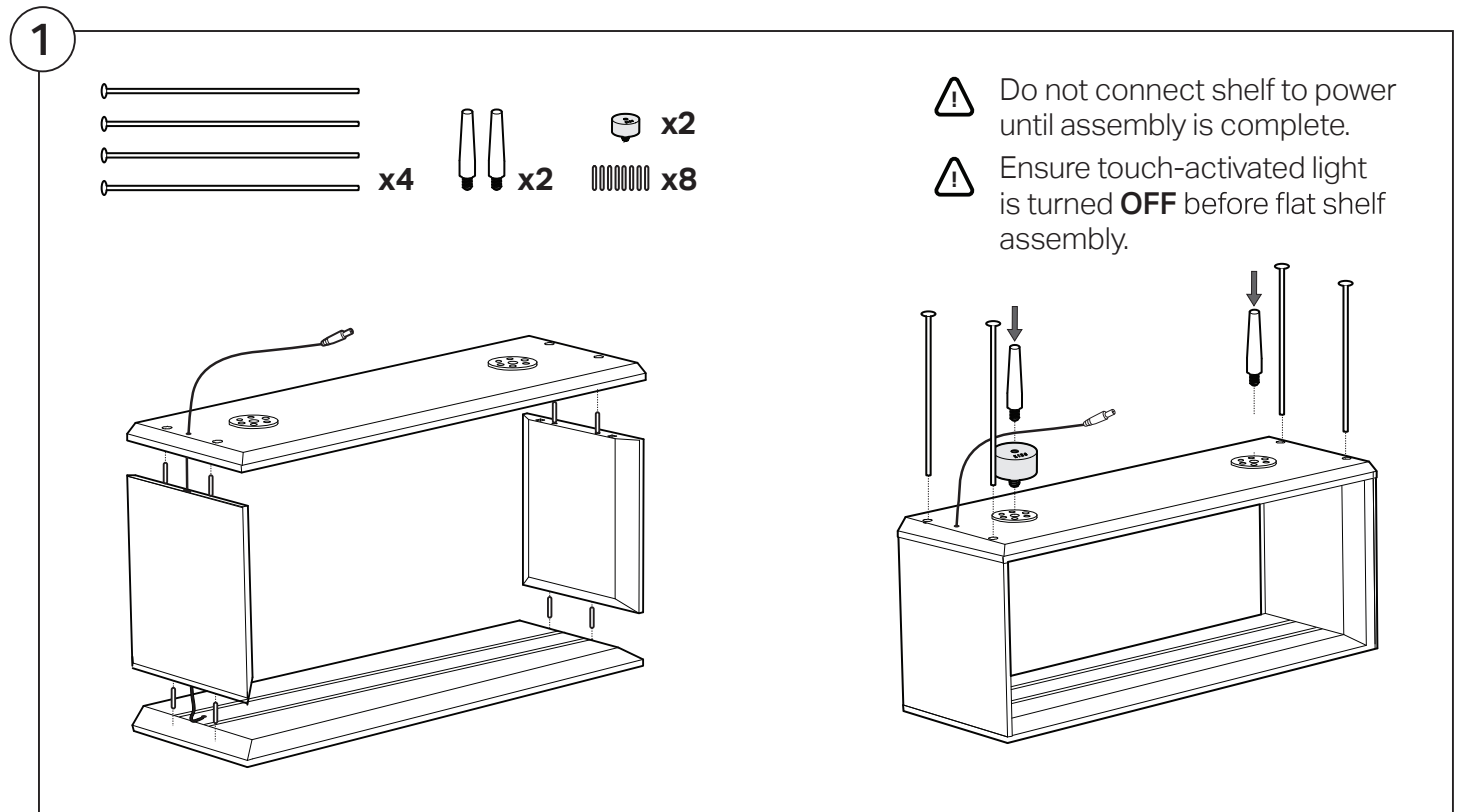
x4



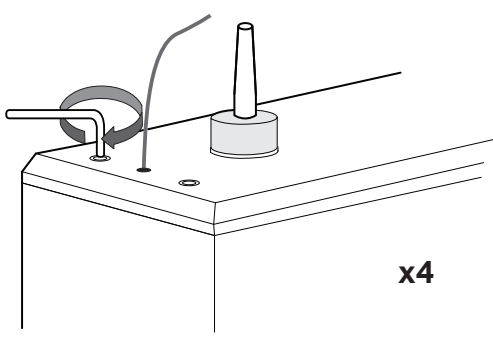
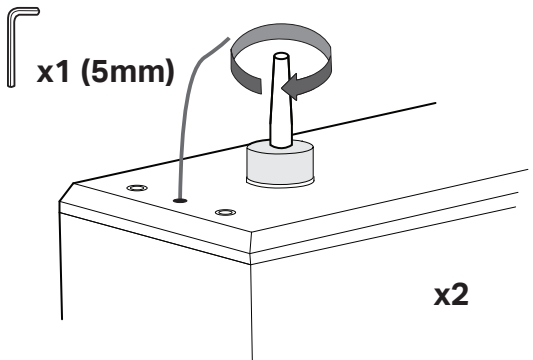
## Flat Shelf Assembly



## Shelf Light-Charge Assembly



2



3

